



Submittal Item

Project [IPS-III-1015] - 015 - Thomas D. Gregg
Elementary School

View Date 2/16/2010

Enginnuity Management & Consulting Corp.
Ste 230
6214 Morenci Trail
Indianapolis, IN 46268
Phone: 317-297-5601
Fax: 317-423-5460

Submittal Item No.
00001

General Information

Item No.	00001	Revision	0
Package No. Rev.	<u>260536.0</u>		
Description	Product Data		
CSI Code	26 05 36 - Cable Trays for Electrical Systems	Submitting Company	MacDougall Pierce Construction, Inc.
Reference No.		Copies Required	1
Status	Requested from Prime	Item Type	Product Data
Responsible Team Member	Sahara Williams (Enginnuity Management & Consulting Corp.)		
Item Notes			
Primary Response			
Submission Notes			
Review Notes			

Dates

Material Required on Site	Required Lead Time (days)
Approved Submittal Required By	Required Review Time (days)
Submission Due	

Manufacturer

Reviewed by WJB
of Engenuity for
CQM Team on
02/15/2010

Submittal


Job: 20926
IPS #15 (Thomas D. Gregg)
2302 East Michigan Street
Indianapolis, IN 46201

Spec Section No: 26 05 38
Submittal No: 1
Revision No: 0
Sent Date: 1/27/2010

Spec Section Title: Cable Tray
Submittal Title: Cable Tray

Contractor:
MacDougall Pierce Construction

Contractor's Stamp



REVIEWED
BRENT HOUSTON

MACDOUGALL PIERCE
CONSTRUCTION, INC

Digitally signed by Brent Houston
DN: cn=Brent Houston,
o=MacDougall Pierce
Construction, Inc, ou,
email=bhouston@mpconstr.co
m, c=US
Date: 2010.01.26 15:29:46
-05'00'

Architect's Stamp

Engineer's Stamp

IPS School #15

January 4, 2010

Cable Tray Submittals

To: Ermeo Electric
1625 W. Thompson Road
Indianapolis, IN 46217
Attn: Jim Webb

By: WESCO Distribution
1560 Indiana Ave.
Indianapolis, IN 46202
Ph.: 317-266-1600
Fax: 317-636-2637

IPS School #15

QTY	CATALOG #	DESCRIPTION
114	CF150/450EZ	6"D 18"W 120"L BASKET TRAY
6	EDRNEZ	FAST SPLICE (50 PCS)
3	SWKEZ	SPLICE WASHER KIT (50 PCS)
16	EZT90EZ	1 T OR 2 90 DEGREE BEND KIT
150	FASP500PG	FAS PROFILE

CF 150 CABLOFIL CABLE TRAY

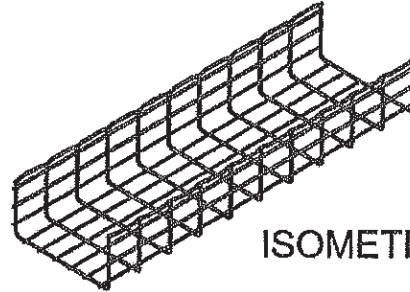
CABLOFIL®

INNOVATORS IN CABLE MANAGEMENT

8319 State Route 4
 Mascoutah IL 62258
 Phone: 800-658-4641
 618-566-3230
 Fax: 618-566-3250
www.cablofil.com



TOP



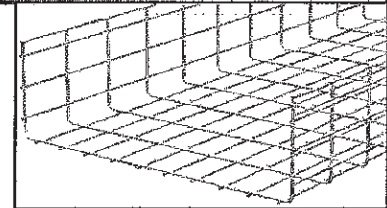
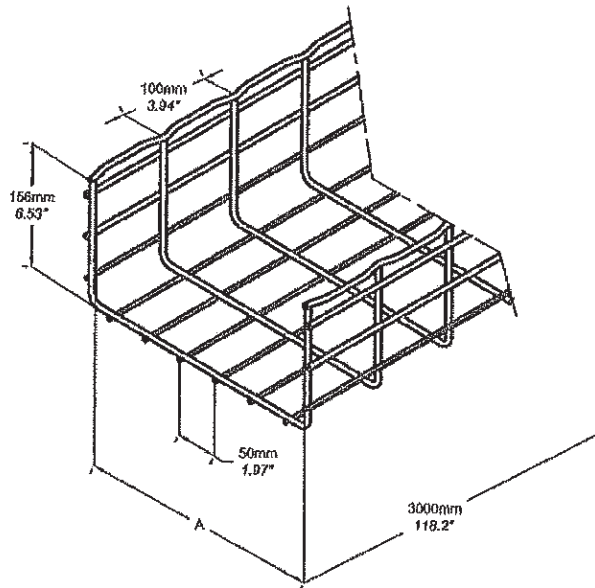
ISOMETRIC



FRONT



SIDE



	in mm		lb
CF150 150	5.91	150	18.9
CF150 200	7.87	200	21.8
CF150 300	11.81	300	24.4
CF150 400	15.75	400	26.1
CF150 450	17.71	450	26.5
CF150 500	19.68	500	27.8
ZF150 600*	23.62	600	29.5

EZ GC 304L 316L

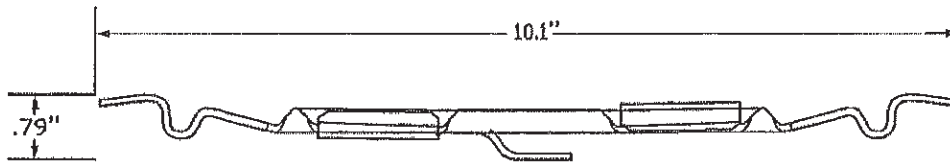
	Material	Finish
EZ	Carbon Steel ASTM A510 Grade 1008	Electroplated Zinc, ASTM B633
GC	Carbon Steel ASTM A510 Grade 1008	Hot-Dip Galvanized ASTM A123
304L	AISI TYPE 304L	Passivated ASTM A 380
316L	AISI TYPE 316L	Passivated ASTM A 380

EDRN FAST SPLICE

CABLOFIL®

INNOVATORS IN CABLE MANAGEMENT

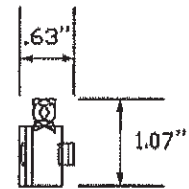
8319 State Route 4
Mascoutah IL 62258
Phone: 800-658-4641
818-566-3230
Fax: 618-566-3250
www.cablofil.com



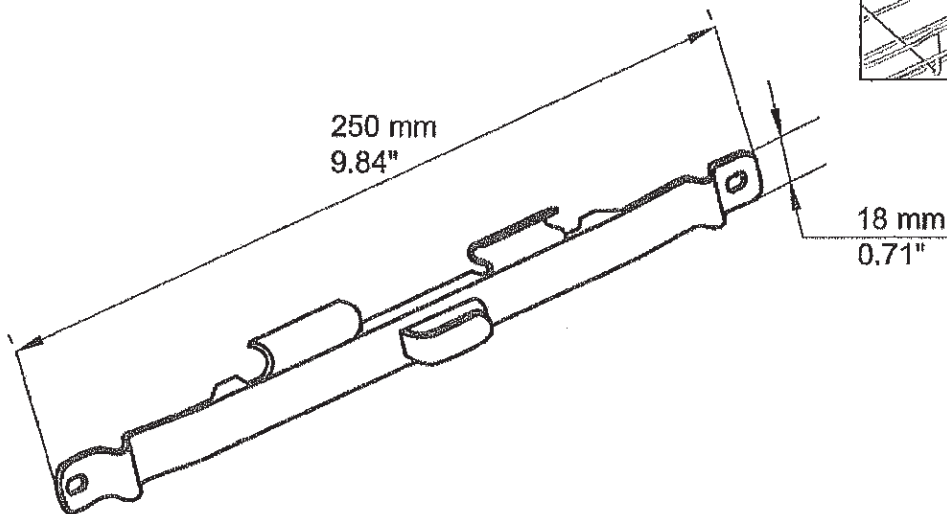
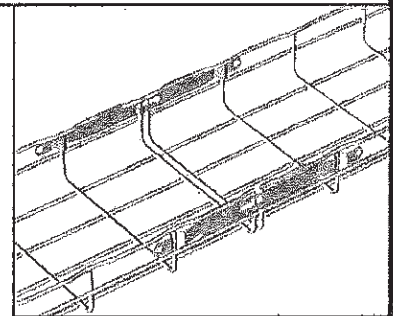
TOP



SIDE



FRONT



lb

EDRN

0.154

EZ

DC

BL

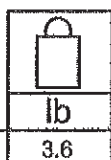
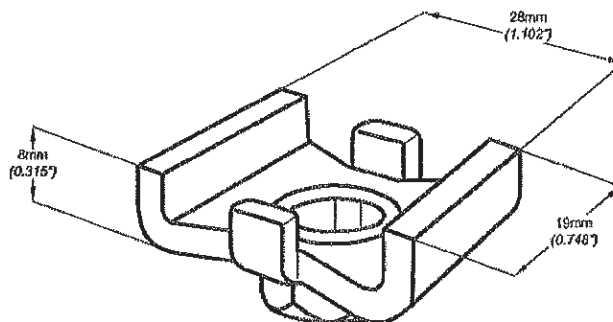
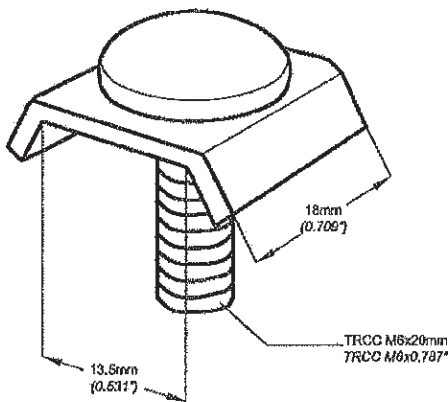
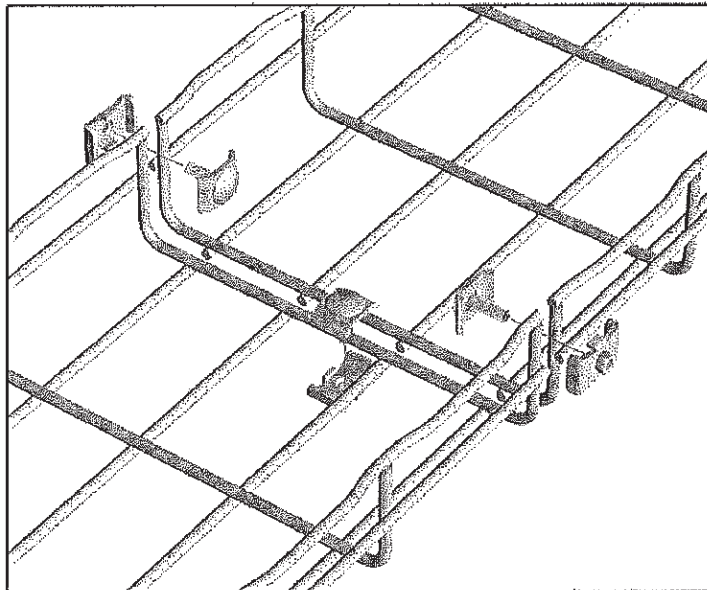
PE

SWK SPLICE WASHER KIT

CABLOFIL®

INNOVATORS IN CABLE MANAGEMENT

8319 State Route 4
Mascoutah IL 62258
Phone: 800-658-4641
618-566-3230
Fax: 618-566-3250
www.cablofil.com



SWK

lb

3.6

EZ

DC

GC

316L

BL

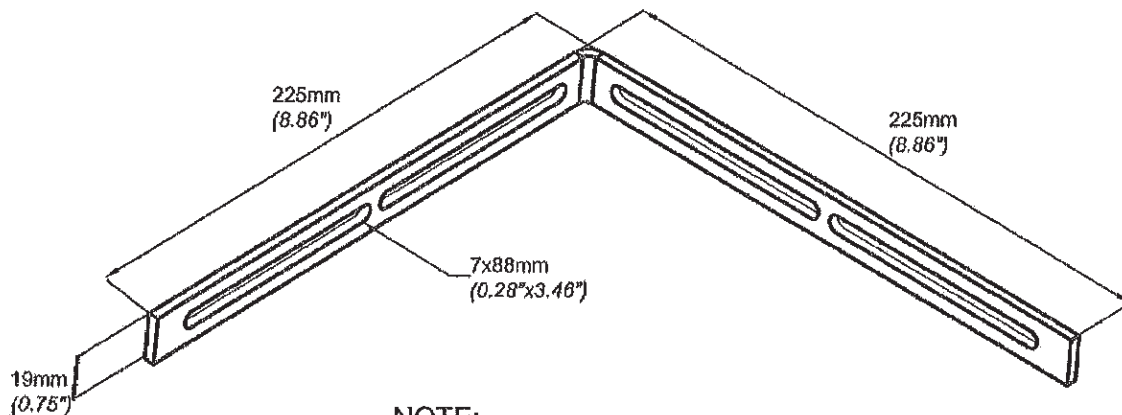
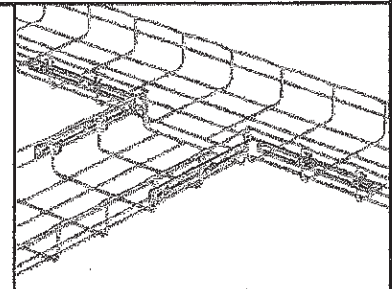
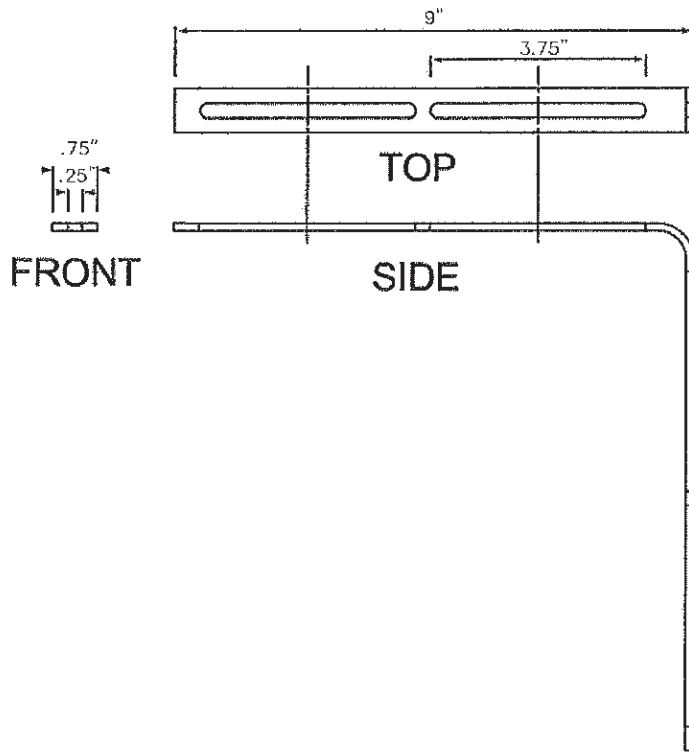
PE

EZT 90 KIT 90° BEND KIT

CABLOFIL®

INNOVATORS IN CABLE MANAGEMENT

8319 State Route 4
 Mascoutah IL 62258
 Phone: 800-658-4641
 618-566-3230
 Fax: 618-566-3250
www.cablofil.com



NOTE:
 (1) KIT CONTAINS HARDWARE
 FOR (1) TEE OR (2) 90° BENDS



lb

0.402

EZ

GC

316L

BL

PE

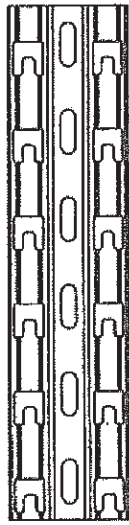
EZT 90

FAS P FAS PROFILE

CABLOFIL®

INNOVATORS IN CABLE MANAGEMENT

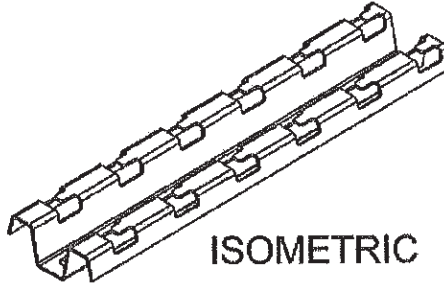
8319 State Route 4
 Mascoutah IL 62258
 Phone: 800-658-4641
 618-566-3230
 Fax: 618-566-3250
www.cablofil.com



TOP



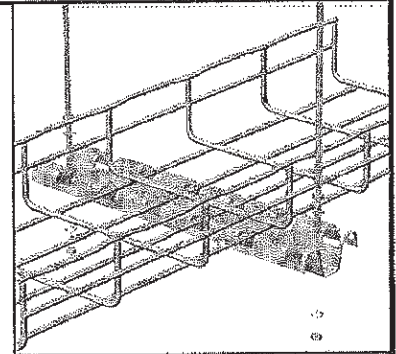
FRONT



ISOMETRIC



SIDE



9.5 x 25mm
 (0.37" x 0.98")

50mm
 (1.97")

22mm
 (0.85")

50mm
 (1.97")

25mm
 (0.98")

A

	A		Weight
	in	mm	lb
FASP 150	5.67	144	0.380
FASP 200	7.64	194	0.510
FASP 300	11.57	294	0.770
FASP 400	15.51	394	1.030
FASP 450	17.48	444	1.170
FASP 500	19.45	494	1.300
FASP 550	21.42	544	1.430
FASP 600	23.39	594	1.560
FASP 700	27.32	694	1.820
FASP 1000	39.13	994	2.610
FASP 2000	78.50	1994	5.230
FASP 3000	117.87	2994	7.857

PG GC 316L BL PE

CABLOFIL INC

INNOVATORS IN CABLE MANAGEMENT

CABLOFIL - LEED (Leadership in Energy and Efficient Design) Program

As the original inventor and number one manufacturer of wire mesh cable tray in the world, Cablofil Inc. is committed to protecting the environment and proves this by complying with the following of the LEED program requirements.

Energy & Atmosphere :

Optimize Energy performance

- *Cablofil's open structure provides better ventilation to the cables. Therefore the temperature is reduce and consequently their resistance. This reduces losses by up to 10% and is equivalent to "free air".*

Material & Resources :

Construction Waste Management

- *Cablofil's structure optimizes the use of raw materials; approximately 30% less steel is used compared to traditional cable trays system.*

Rapidely renewable material

- *100% of the Cablofil range can be recycled.*
- *Cablofil complies with the RoHs European directive on dangerous substances. In particular, Cablofil uses surface treatment without Hexavalent Chromium.*

Recycled Content

- *Cablofil wire mesh cable tray is made from high quality steel purchased in the USA and is made of a minimum of 25% post consumer recycled material.*

Local/ Regional Materials

- *CABLOFIL wire mesh cable tray is made in Mascoutah, IL using domestic steel.*

Innovation & Design Process

Innovation in Design

- *Recommended by the largest architects and contracting organizations, Cablofil has lead the way in cable management through innovation and providing a superior product.*

8319 STATE ROUTE 4
MASCOUTAH, IL 62258
WEB: WWW.CABLOFIL.COM

CORPORATE HEADQUARTERS: 618.566.3244
CUSTOMER SERVICE: 800.658.4641
FAX: 618.566.3250