



Submittal Item

Project [IPS-III-1015] - 015 - Thomas D. Gregg
Elementary School

View Date 2/16/2010

Enginuity Management & Consulting Corp.
Ste 230
6214 Morenci Trail
Indianapolis, IN 46268
Phone: 317-297-5601
Fax: 317-423-5460

Submittal Item No.
00415

General Information

Item No.	00415	Revision	0
Package No. Rev.	<u>330513.0</u>		
Description	Shop Drawings		
CSI Code	33 05 13 - Manholes and Structures	Submitting Company	MacDougall Pierce Construction, Inc.
Reference No.		Copies Required	1
Status	Requested from Prime	Item Type	Shop Drawings
Responsible Team Member	Sahara Williams (Enginuity Management & Consulting Corp.)		
Item Notes			
Primary Response			
Submission Notes			
Review Notes			

Dates

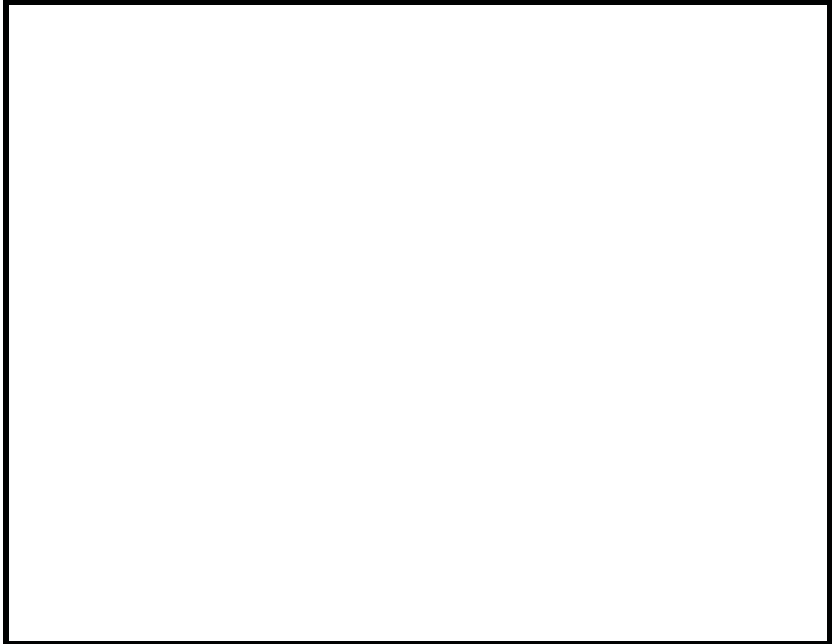
Material Required on Site	Required Lead Time (days)
Approved Submittal Required By Submission Due	Required Review Time (days)

Manufacturer

Reviewed by WJB of
Engenuity for CQM
Team on 02/15/2010



**Campbell Land Development
Construction Waste**
935 West Troy Avenue
Indianapolis, IN 46225
Office: 317.783.1500
Fax: 317.783.4860



SUBMITTAL

Date: February 1, 2010

Project Name: IPS Thomas D. Gregg Elementary School No. 15

Architecture/Engineer:
Durkin & Villalta Partners Engineering
8440 Woodfield Crossing Blvd., Suite 175
Indianapolis, IN 46240

Construction Quality Manager (CQM):
Garcia Construction Group
6002 N. Michigan Road
Indianapolis, IN 46228

Contractor:
MacDougal Pierce
12720 Ford Drive
Fishers, IN 46038

Subcontractor:
Campbell Land
Development
935 West Troy Ave.
Indianapolis, IN 46225

Supplier:
Utility Pipe Sales
3169A N. Shadeland Ave.
Indianapolis, IN 46226

Manufacturer:
Neenah Foundry
2121 Brooks Ave.
Neenah, WI 54956

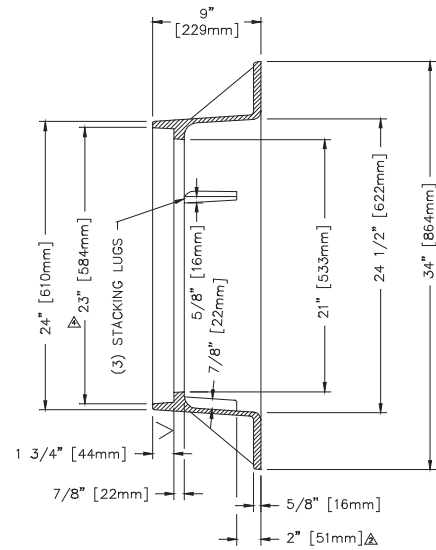
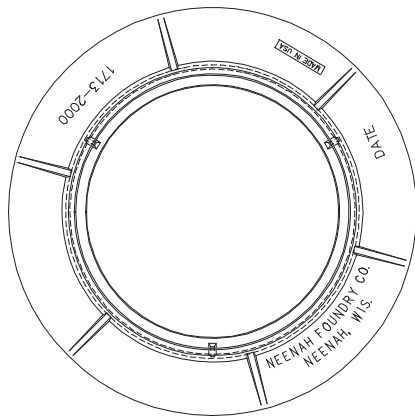
Unique identifier, including revision number _____

Number and title of appropriate Specification Section 330513
Manholes and Structures

Drawing number and detail references, as appropriate C601, C603 CA-1
C604 ST-99

Other necessary identification Castings: Sanitary and Storm

17132000-5 B8



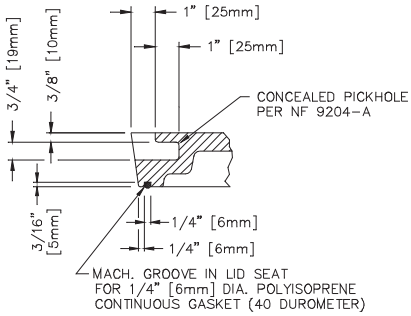
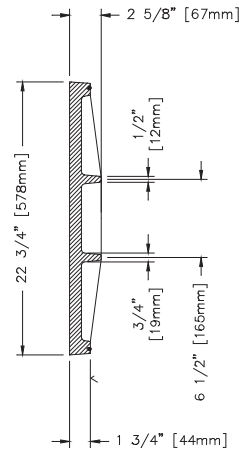
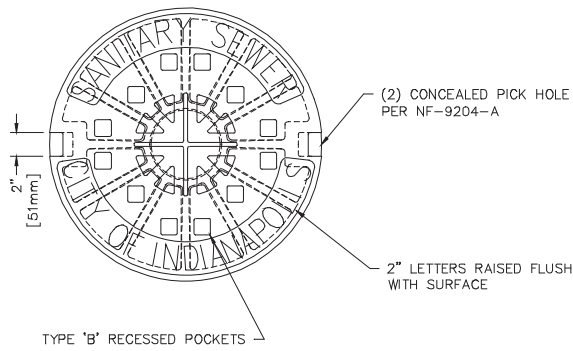
NOTE: MINIMUM PROOF LOAD CAPACITY 100,000 LBS.
 ALL DIMENSIONS SHOWN ARE IN ENGLISH AND [METRIC]
 MATERIAL: CAST GRAY IRON ASTM A-48, CLASS 35B
 FINISH: NO PAINT
 WEIGHT: 164#

DR. SMA		SCALE	TITLE:
CH. CH.		1/8"=1"	R-1713 FRAME
APP. APP.		DIM CHK.	NEENAH FOUNDRY COMPANY NEENAH WISCONSIN 54666
DATE	REVISION	DATE	NF-17132000 B
04-03-2003	CHGD. AA DIM. WAS 22 7/8"	11-4-99	
12-04-2002	CHANGED SEAT DRAFT, WAS 5 DEGREES		
03-07-2002	INCREASED STACKING LUGS 2" WAS 2 1/2"		
11-13-2000	INCREASED LENGTH OF STACKING LUGS 1/2"		

CAD DWG. REF: 17132000.DWG- 5

10770264-3

B8

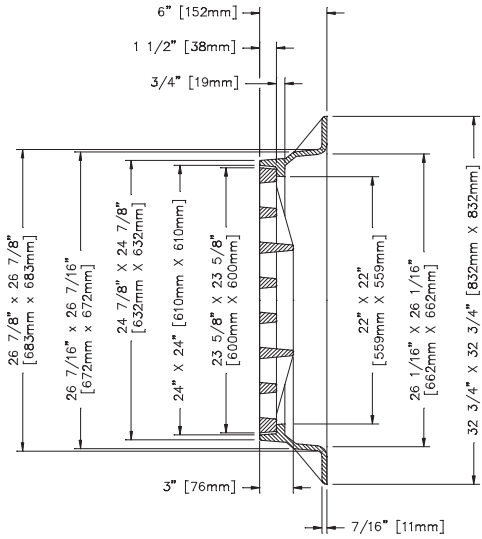
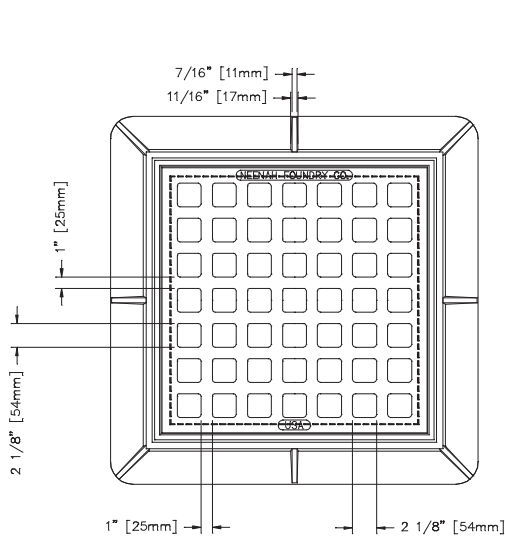


SELF-SEAL/CONCEALED PICKHOLE DETAIL
QUARTER SCALE

NOTE: ALL DIMENSIONS SHOWN ARE IN ENGLISH AND [METRIC]
 MATERIAL: CAST GRAY IRON ASTM A-48, CLASS 35B
 FINISH: NO PAINT
 WEIGHT: 121#

		DR. E. REMME	SCALE	TITLE:
		CH.	1/8"=1"	R-1772 SELF-SEAL LID LETTERED "CITY OF INDIANAPOLIS"
		APP.	DIM. CHK.	NEENAH FOUNDRY COMPANY NEENAH, WISCONSIN 54956
		DATE 5-13-91		
10-22-2000	REVISED DRAG TO MATCH CASTING	LMA		NF-10770264 B
04-07-2000	R-1772 WAS R-1077, FIX GROOVE WAS DOWEL PIN	KMP		
DATE	REVISION	BY		

3405 399 - 2 B8



NOTE: ALL DIMENSIONS SHOWN ARE IN ENGLISH AND [METRIC]
 COMPONENT NOS.: FRAME 3405-2001; GRATE 3405-0002
 MATERIAL: CAST GRAY IRON ASTM A-48, CLASS 35B
 FINISH: NO PAINT
 WEIGHT: FRAME 138#; GRATE 138#

DR.	CSK	SCALE	TITLE:
CH.		1/8"=1"	R-3405
APP.		DIM. CHK.	FRAME AND GRATE
DATE	07-26-2001	NF- 3405 399 B	

CAD DWG. REF: 3405399.DWG- 2

DATE	01-08-2003	ADD'D BY LTR	CHK
DATE		REVISION	NT

3246 070-3 B8

