

# PAUL I. CRIBE, INC.

Architects, Engineers & Surveyors 317-844-6777

33 4111 Site Storm U/I Drainage

PJT. NO. 090324-20000

SUBMIT. NO. Piping/Storm Structure Shops

APPROVED

Fabrication/installation may be undertaken. Approval does not authorize changes to the Contract Sum or Contract Time.

APPROVED AS CORRECTED

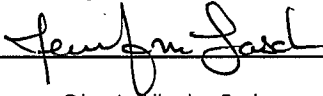
RESUBMIT: Limit corrections to items marked.

REJECTED;  
REVISE &  
RESUBMIT

Fabrication and/or installation may not be undertaken.

Reviewed only for general conformance with project design concept and general compliance with the Contract Documents. Corrections or comments made in review do not relieve contractor from compliance with requirements of the contract documents. Approval of a specific item shall not include approval of an assembly of which the item is a component. Contractor is responsible for: all dimensions; information pertaining to the fabrication process or to the means, methods, techniques, sequences and procedures of construction; coordination of work with other trades; and performing all work in safe and satisfactory manner.

Signed By:



Consultant/Department: Cripe Architects + Engineers Date: 8/3/10

Logged in

7/27/10 sw

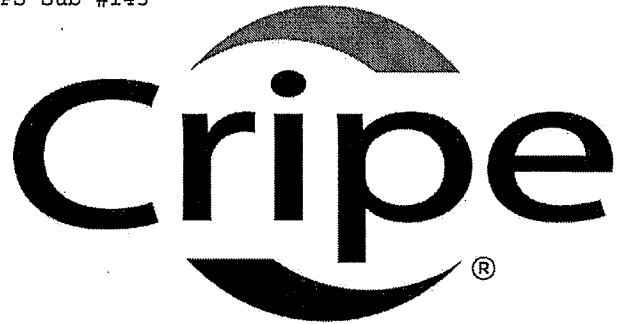
Logged out

8/3/10

sw

Enginnuity Sub #569

IPS Sub #143



Architects + Engineers

## COMMENTS:

Following approved

str 711, 714, 716, 717

Following approved as corrected for pipe & structure. Need wear

str. 712, 713

info

Structure 712 & 713 should have a wear anchored to

the structure. Need information for wear per

ST-OC and ST-DD



**Submittal Item**

**Project** [IPS-III-1015] - 015 - Thomas D. Gregg Elementary School      **View Date** 7/14/2010

Reviewed by JFL of Enginuity Management with CQM Team dated 07/14/10

Enginuity Management & Consulting Corp.  
 Ste 230  
 6214 Morenci Trail  
 Indianapolis, IN 46268  
 Phone: 317-297-5601  
 Fax: 317-423-5460

**Submittal Item No.**  
00569

**General Information**

<b>Item No.</b>	00569	<b>Revision</b>	0
<b>Package No. Rev.</b>	<u>334111.0</u>		
<b>Description</b>	Shop Drawings - Structures for New Lot		
<b>CSI Code</b>	33 41 11 - Site Storm Utility Drainage Piping	<b>Submitting Company</b>	MacDougall Pierce Construction, Inc.
<b>Reference No.</b>		<b>Copies Required</b>	1
<b>Status</b>	Requested from Prime	<b>Item Type</b>	Shop Drawings
<b>Responsible Team Member</b>	John Lowery (Enginuity Management & Consulting Corp.)		
<b>Item Notes</b>	Added for new parking lot 7/14/10		
<b>Primary Response</b>			
<b>Submission Notes</b>			
<b>Review Notes</b>			

**Dates**

<b>Material Required on Site</b>	<b>Required Lead Time (days)</b>
<b>Approved Submittal Required By</b>	<b>Required Review Time (days)</b>
<b>Submission Due</b>	

**Manufacturer**



*Submittal*

**Job:** 20926

IPS #15 (Thomas D. Gregg)  
2302 East Michigan Street  
Indianapolis, IN 46201

**Spec Section No:** 33 41 11

**Submittal No:** 4

**Revision No:** 0

**Sent Date:** 7/13/2010

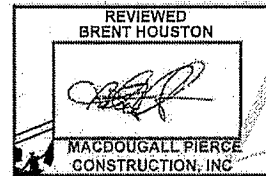
**Spec Section Title:** Manholes and Structures

**Submittal Title:** Storm Structure SD - Parking Lot Addition

**Contractor:**

MacDougall Pierce Construction

Contractor's Stamp



Brent Houston  
2010.07.13  
15:33:49  
-04'00"

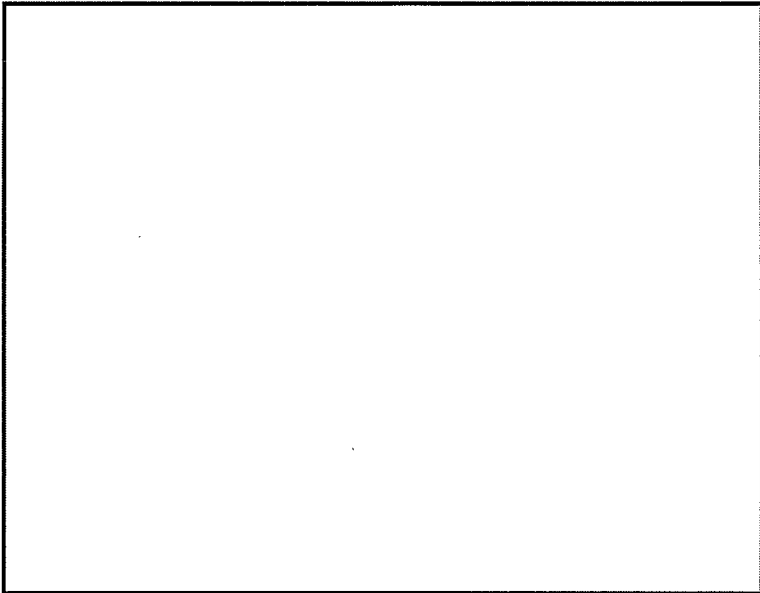
ENGINUITY MGMT & CONSULTING  
SAHARA WILLIAMS

Architect's Stamp

Engineer's Stamp



Campbell Land Development  
 Construction Waste  
 935 West Troy Avenue  
 Indianapolis, IN 46225  
 Office: 317.783.1500  
 Fax: 317.783-4860



**SUBMITTAL**

Date: July 9, 2010

Project Name: IPS Thomas D. Gregg Elementary School No. 15

**Architecture/Engineer:**  
 Durkin & Villalta Partners Engineering  
 8440 Woodfield Crossing Blvd., Suite 175  
 Indianapolis, IN 46240

**Construction Quality Manager (CQM):**  
 Garcia Construction Group  
 6002 N. Michigan Road  
 Indianapolis, IN 46228

**Contractor:**  
 MacDougal Pierce  
 12720 Ford Drive  
 Fishers, IN 46038

**Subcontractor:**  
 Campbell Land  
 Development  
 935 West Troy Ave.  
 Indianapolis, IN 46225

**Supplier:**  
 Rinker  
 4360 White Lick Dr.  
 Whitestown, IN 46075

**Manufacturer:**  
 Rinker  
 4360 White Lick Dr.  
 Whitestown, IN 46075

Unique identifier, including revision number Parking Lot Addition

Number and title of appropriate Specification Section 33 41 11  
Manholes and Structures

Drawing number and detail references, as appropriate C501  
C602:ST-OC, ST-DD, ST-6A,ST-36, ST-6

Other necessary identification Storm Structure Shop Drawings

"I affirmatively state that there are no material deviations from the requirements of the Contract Documents"

Submitted by: Joshua Campbell

Signed

**Job Name: Thomas D Gregg Elem.**  
**Quote ID: 2010010131**

**SUBMITTAL/FILE COPY**

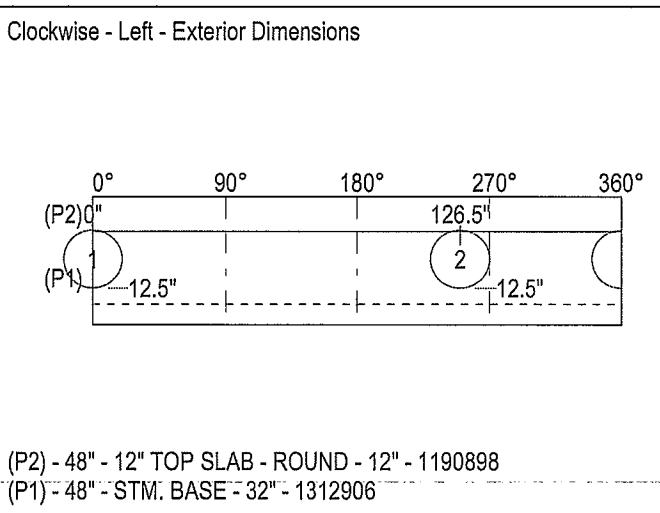
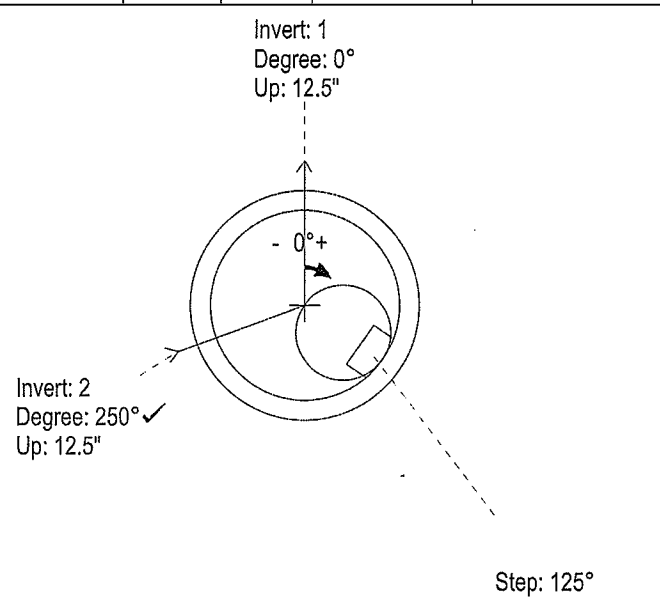
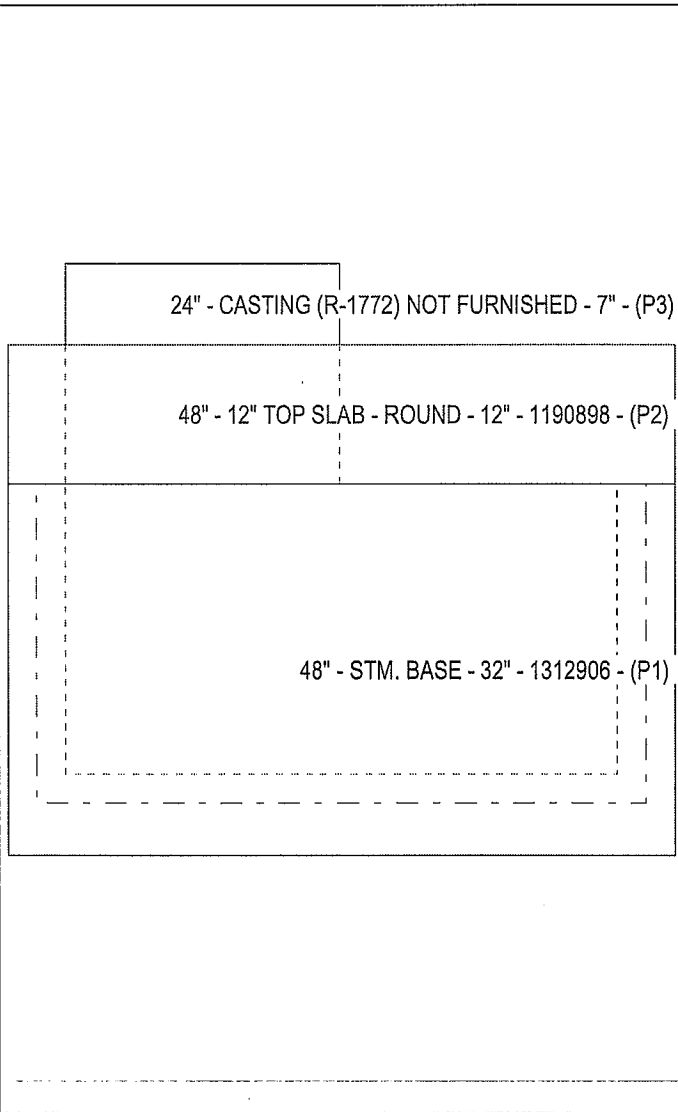


Structure ID: 711      Spec: STORM      Size: 48"      Rim to Invert: 3.04'      Catch: 0"      Overall Height: 4.25'      Precast Height: 44"

- 1) 24" - CASTING (R-1772) NOT FURNISHED - 7"      0lb
  - 1) 48" - 12" TOP SLAB - ROUND - 12" - 1190898      1835lb
  - 1) 48" - STM. BASE - 32" - 1312906      3569lb
  - 1) 48" - Single Mastic - SM - 1181535      0lb
  - 1) 24" - Single Mastic - SM - 1181535      0lb
  - 2) Cored Hole - 20"      0lb
- Structure Total:      5404lb

Structure Notes: Revised TC 07/08/10

Position	Elev	Angle	Pipe	Connector
Rim	55.55' ✓			
Reducer				
Invert 1	52.51' ✓	0°	12" RCP-B	Cored Hole 20"
Invert 2	52.51' ✓	250° ✓	12" RCP-B	Cored Hole 20"
Invert 3				
Invert 4				
Invert 5				
Invert 6				
Invert 7				
Invert 8				



**DRAWN BY: B. DENNEY**  
**7/8/2010 11:04:21 AM**

**ALL MANHOLES CONFORM TO ASTM C478**

**Quote ID: 2010010131**

**Job Name: Thomas D Gregg Elem.**  
**Quote ID: 2010010131**

**SUBMITTAL/FILE COPY**



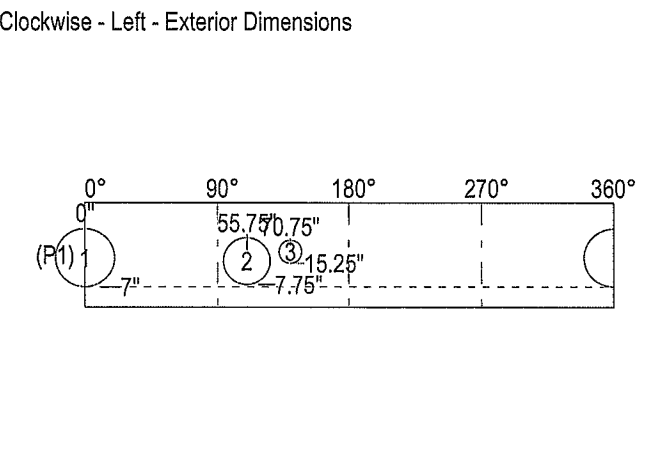
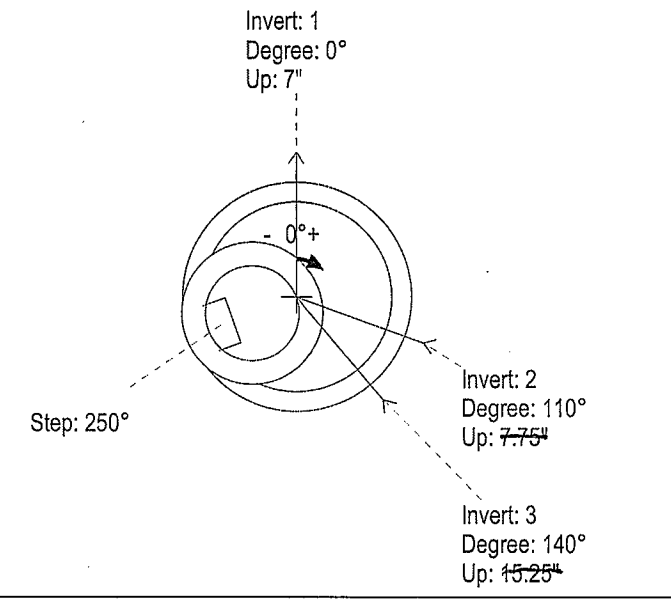
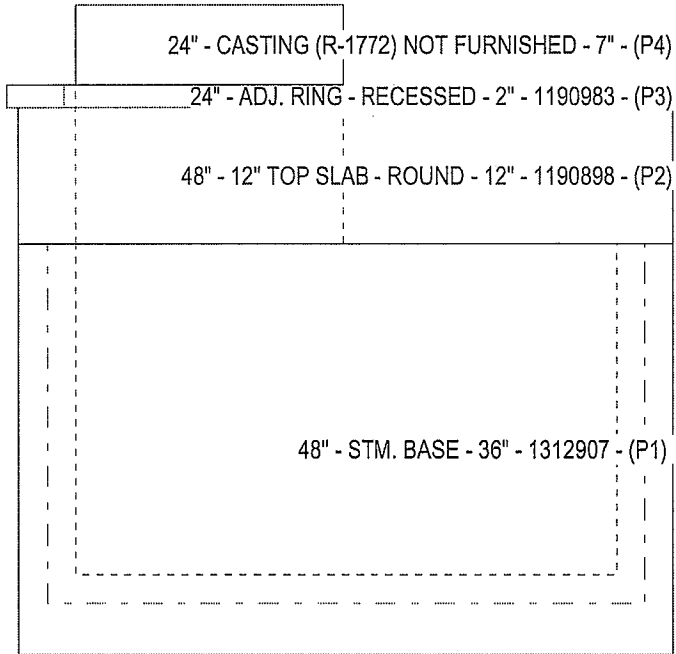
Structure ID: 712      Spec: STORM      Size: 48"      Rim to Invert: 4.04'      Catch: 0"      Overall Height: 4.75'      Precast Height: 50"

- 1) 24" - CASTING (R-1772) NOT FURNISHED - 7"      0lb
  - 1) 24" - ADJ. RING - RECESSED - 2" - 1190983      105lb
  - 1) 48" - 12" TOP SLAB - ROUND - 12" - 1190898      1835lb
  - 1) 48" - STM. BASE - 36" - 1312907      3858lb
  - 1) 48" - Single Mastic - SM - 1181535      0lb
  - 2) 24" - Single Mastic - SM - 1181535      0lb
  - 1) Cored Hole - 20"      0lb
  - 1) Cored Hole - 16"      0lb
  - 1) Cored Hole - 8"      0lb
  - 1) STEPS - 16"      0lb
- Structure Total:      5798lb

Position	Elev	Angle	Pipe	Connector
Rim	56.7'			
Reducer				
Invert 1	52.66'	0°	12" RCP-B	Cored Hole 20"
Invert 2	<del>52.66'</del> 53.21'	110°	12" HDPE	Cored Hole 16"
Invert 3	<del>53.21'</del> 52.66'	140°	6" HDPE	Cored Hole 8"
Invert 4				
Invert 5				
Invert 6				
Invert 7				
Invert 8				

*weir?*

*Need weir per ST-OC*



(P1) - 48" - STM. BASE - 36" - 1312907

**Job Name: Thomas D Gregg Elem.**  
**Quote ID: 2010010131**

**SUBMITTAL/FILE COPY**



Structure ID: 713  
 Spec: STORM    Size: 48"    Rim to Invert: 4.39'    Floor: 51.33'    Overall Height: 6.917'    Precast Height: 76"

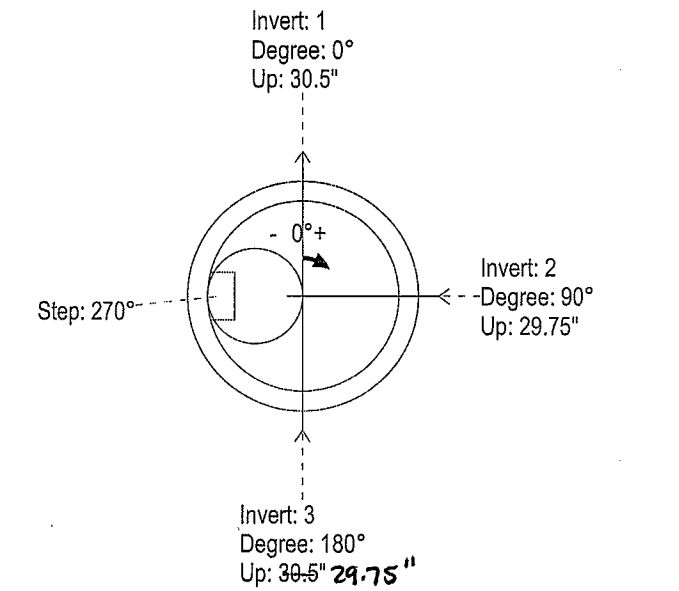
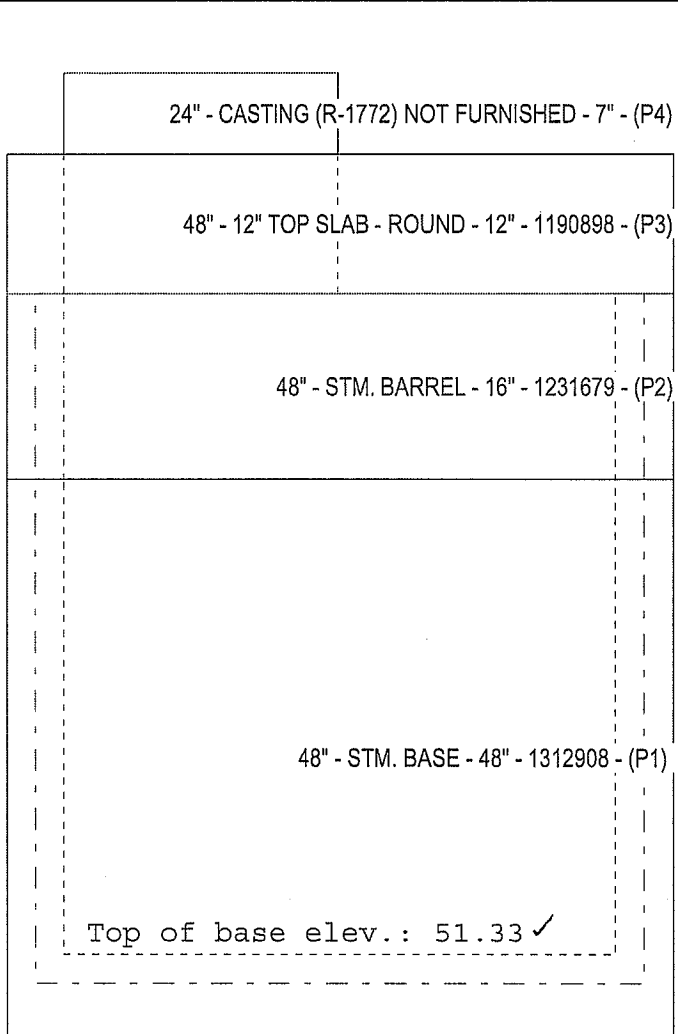
- 1) 24" - CASTING (R-1772) NOT FURNISHED - 7"    0lb
- 1) 48" - 12" TOP SLAB - ROUND - 12" - 1190898    1835lb
- 1) 48" - STM. BARREL - 16" - 1231679    1156lb
- 1) 48" - STM. BASE - 48" - 1312908    4725lb
- 2) 48" - Single Mastic - SM - 1181535    0lb
- 1) 24" - Single Mastic - SM - 1181535    0lb
- 3) Cored Hole - 16"    0lb
- 3) STEPS - 16"    0lb

Structure Total: 7716lb

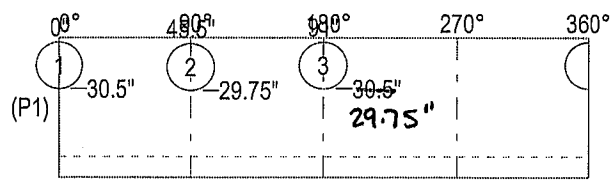
*Weir?  
 Need weir per STD*

**Structure Notes:** Field poured wier  
 Added "Top of base" elev. 07/08/10

Position	Elev	Angle	Pipe	Connector
Rim	57.72'	✓		
Reducer				
Invert 1	53.38'	✓ 0°	12" HDPE ✓	Cored Hole 16"
Invert 2	53.33'	✓ 90°	12" HDPE ✓	Cored Hole 16"
Invert 3	53.38'	✓ 180°	12" HDPE ✓	Cored Hole 16" 20"
Invert 4	51.33		Top of base	12" RCP-B
Invert 5				
Invert 6				
Invert 7				
Invert 8				



Clockwise - Left - Exterior Dimensions



(P1) - 48" - STM. BASE - 48" - 1312908

**DRAWN BY: B. DENNEY**  
**7/8/2010 11:04:21 AM**

**ALL MANHOLES CONFORM TO ASTM C470**

**Quote ID: 2010010131**

**Page: 3 of 6**

**Job Name: Thomas D Gregg Elem.**  
**Quote ID: 2010010131**

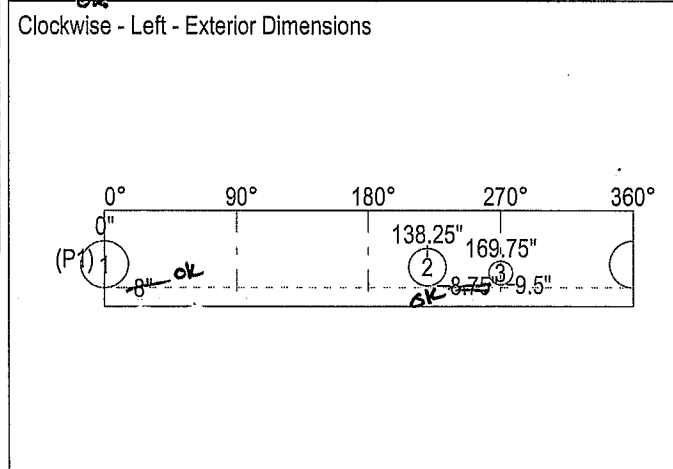
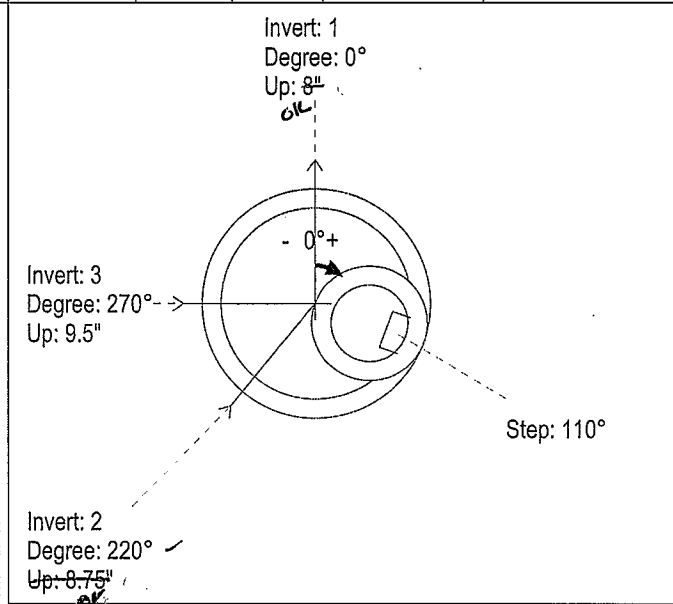
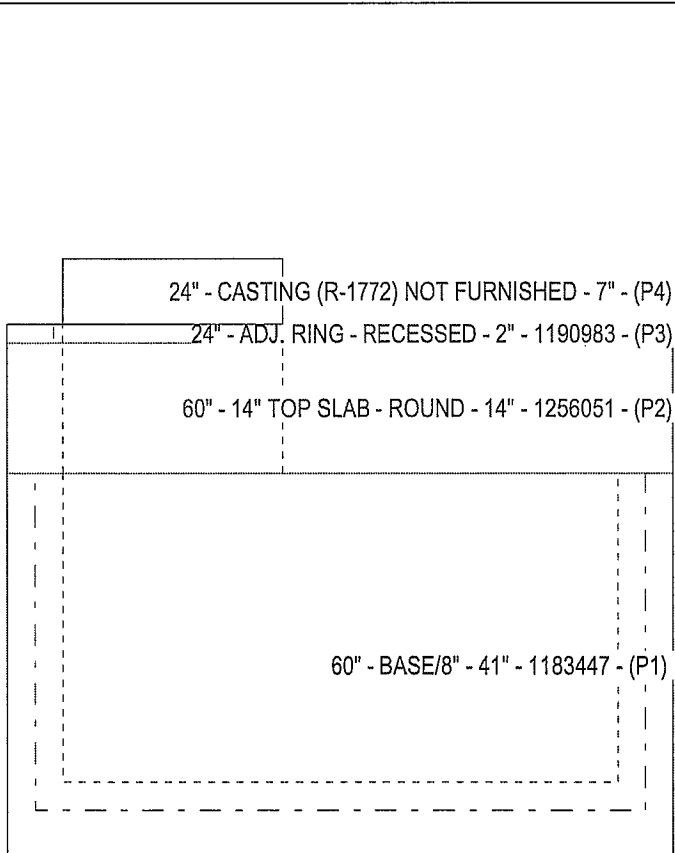
**SUBMITTAL/FILE COPY**



Structure ID: 714      Spec: STORM      Size: 60" ✓      Rim to Invert: 4.58'      Catch: 0"      Overall Height: 5.333'      Precast Height: 57"

- 1) 24" - CASTING (R-1772) NOT FURNISHED - 7"      0lb
  - 1) 24" - ADJ. RING - RECESSED - 2" - 1190983      105lb
  - 1) 60" - 14" TOP SLAB - ROUND - 14" - 1256051      3166lb
  - 1) 60" - BASE/8" - 41" - 1183447      5527lb
  - 1) 60" - Single Mastic - SM - 1181535      0lb
  - 2) 24" - Single Mastic - SM - 1181535      0lb
  - 1) Cored Hole - 20"      0lb
  - 1) Cored Hole - 16"      0lb
  - 1) Cored Hole - 10"      0lb
  - 1) STEPS - 16"      0lb
- Structure Total:      8798lb

Position	Elev	Angle	Pipe	Connector
Rim	58' ✓			
Reducer				
Invert 1	53.42' ✓	0°	12" RCP-B	Cored Hole 20"
Invert 2	53.42' ✓	220°	12" HDPE	Cored Hole 16"
Invert 3	53.42' ✓	270°	8" HDPE	Cored Hole 10"
Invert 4				
Invert 5				
Invert 6				
Invert 7				
Invert 8				



**DRAWN BY: B. DENNEY**  
**7/8/2010 11:04:21 AM**

**ALL MANHOLES CONFORM TO ASTM C478**

**Quote ID: 2010010131**

**Page: 4 of 6**



**Job Name: Thomas D Gregg Elem.**  
**Quote ID: 2010010131**

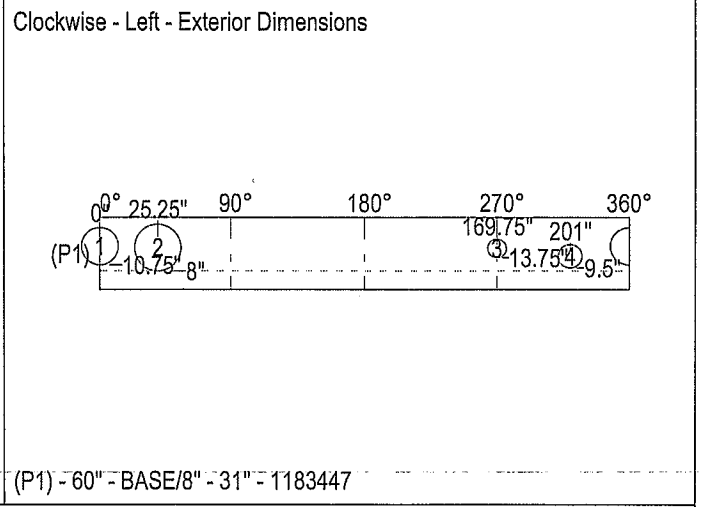
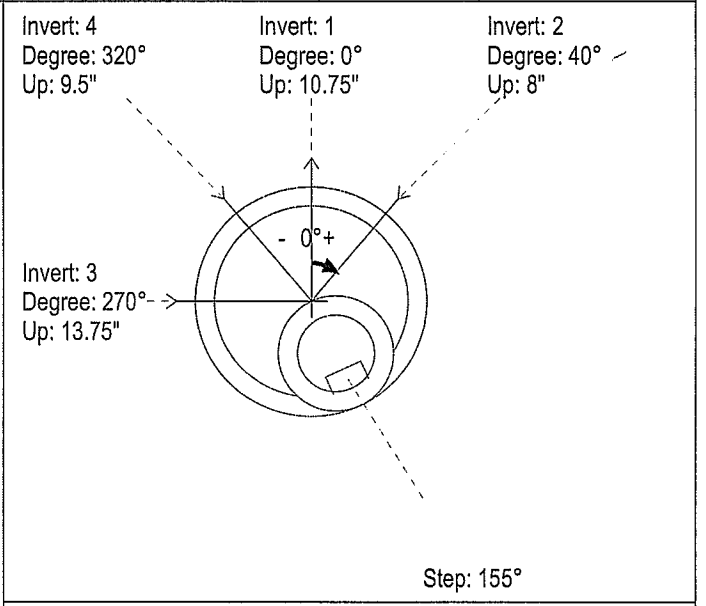
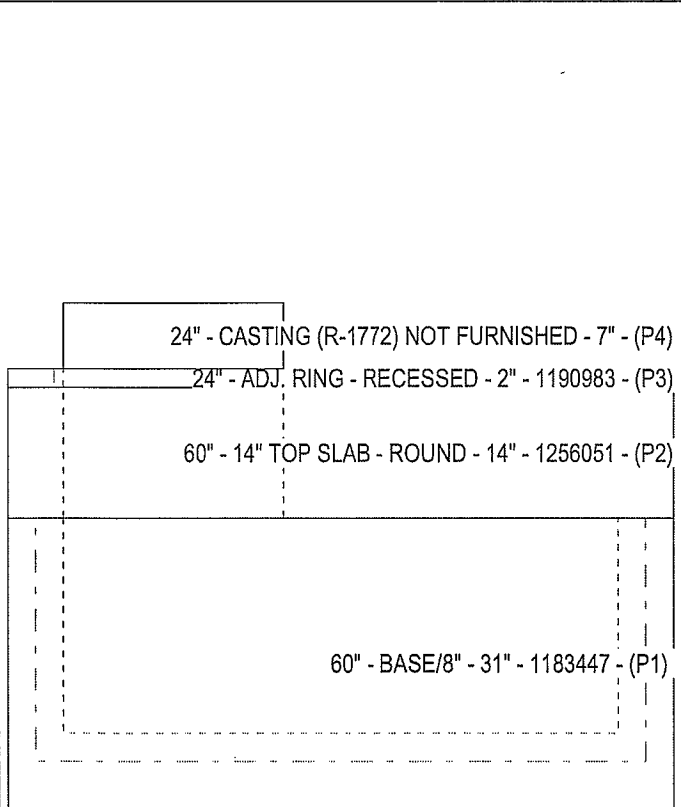
**SUBMITTAL/FILE COPY**



Structure ID: 716      Spec: STORM      Size: 60" ✓      Rim to Invert: 3.7'      Catch: 0"      Overall Height: 4.5'      Precast Height: 47"

- 1) 24" - CASTING (R-1772) NOT FURNISHED - 7"      0lb
  - 1) 24" - ADJ. RING - RECESSED - 2" - 1190983      105lb
  - 1) 60" - 14" TOP SLAB - ROUND - 14" - 1256051      3166lb
  - 1) 60" - BASE/8" - 31" - 1183447      4447lb
  - 1) 60" - Single Mastic - SM - 1181535      0lb
  - 2) 24" - Single Mastic - SM - 1181535      0lb
  - 1) Cored Hole - 16"      0lb
  - 1) Cored Hole - 20"      0lb
  - 1) Cored Hole - 8"      0lb
  - 1) Cored Hole - 10"      0lb
  - 1) STEPS - 16"      0lb
- Structure Total:      7718lb

Position	Elev	Angle	Pipe	Connector
Rim	57.18' ✓			
Reducer				
Invert 1	53.63' ✓	0°	12" HDPE ✓	Cored Hole 16" ✓
Invert 2	53.48' ✓	40°	12" RCP-B ✓	Cored Hole 20"
Invert 3	53.83' ✓	270°	6" SSD ✓	Cored Hole 8"
Invert 4	53.48' ✓	320°	8" HDPE ✓	Cored Hole 10"
Invert 5				
Invert 6				
Invert 7				
Invert 8				



**Job Name: Thomas D Gregg Elem.**  
**Quote ID: 2010010131**

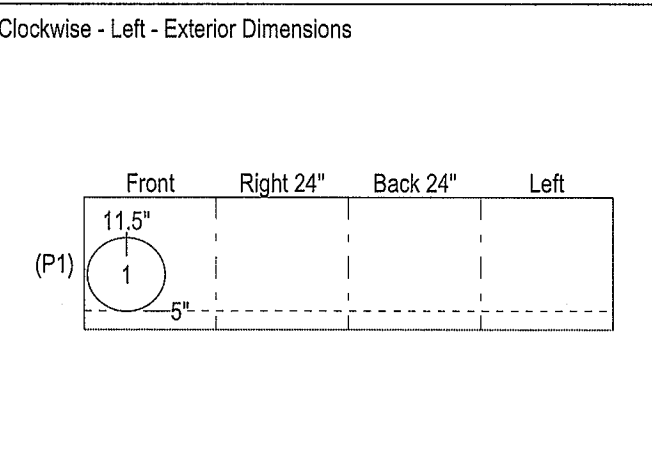
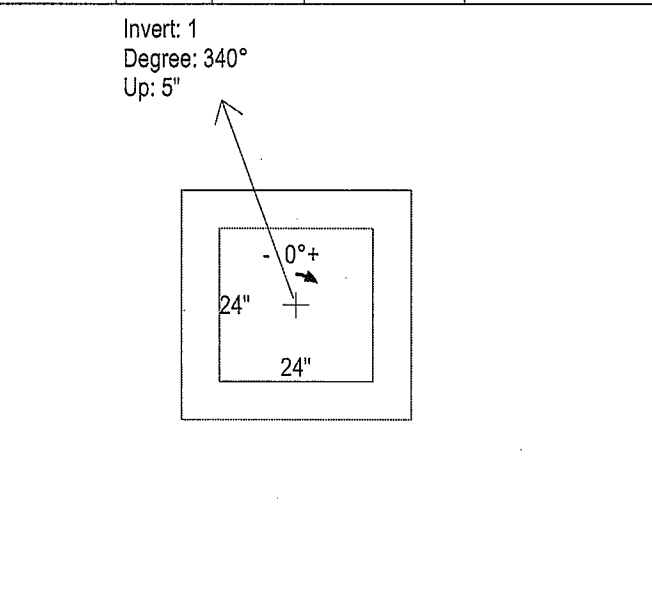
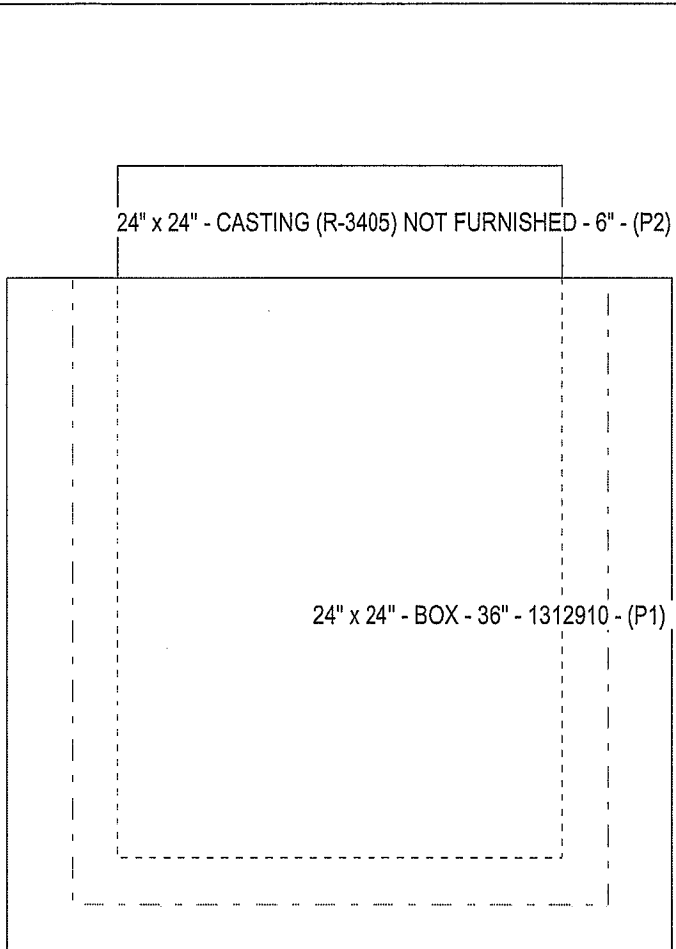
**SUBMITTAL/FILE COPY**



Structure ID: 717      Spec: STORM      Size: 24" x 24" ✓      Rim to Invert: 3.11'      Catch: 0"      Overall Height: 3.5'      Precast Height: 36"

- 1) 24" x 24" - CASTING (R-3405) NOT FURNISHED - 6"      0lb
  - 1) 24" x 24" - BOX - 36" - 1312910      2500lb
  - 1) 24" x 24" - Single Mastic - SM - 1181535      1lb
  - 1) Cored Hole - 20"      0lb
- Structure Total:      2501lb

Position	Elev	Angle	Pipe	Connector
Rim	56.8' ✓			
Reducer				
Invert 1	53.69' ✓	340°	12" RCP-B ✓	Cored Hole 20"
Invert 2				
Invert 3				
Invert 4				
Invert 5				
Invert 6				
Invert 7				
Invert 8				



(P1) - 24" x 24" - BOX - 36" - 1312910

**DRAWN BY: B. DENNEY**  
**7/8/2010 11:04:21 AM**

**ALL MANHOLES CONFORM TO ASTM C478**

**Quote ID: 2010010131**

**Page: 6 of 6**