



Unit Ventilator Submittals

Submittals & ReSubmittals Issued		Submittals Released For Production
Dec 23, 2009		NOT RELEASED
Feb 08, 2010		
Rev No.	Revision Date	Submittal Pages Revised
00	Dec 23, 2009	
01	Feb 08, 2010	7 - 12, 13, 29 (only these pages have been re-submitted)
02	Feb 10, 2010	13 (only pages 7-12, 13, 29 have been re-submitted)

Temspec Inc. - Job 3235

Project: Thomas Gregg ES IPS#15

Location: Indianapolis, IN

Engineer: Durkin & Villalta Partners Engineering

Please Return APPROVED Copy To:

Temspec, Inc.

6720 Columbus Road

Mississauga, Ontario

Canada, L5T 2G1

Plan Reference	VUV-A	VUV-A	VUV-A	VUV-A	VUV-A	VUV-A	VUV-A
Room#	103	152	104	105	106	107	108
Temspec Production Number	T-01	T-02	T-03	T-04	T-05	T-06	T-07
Temspec Model	VUD 1200D	VUD 1200D	VUD 1200D	VUD 1200D	VUD 1200D	VUD 1200D	VUD 1200D
THERMOSTAT / CONTROLLER							
Provided By	OTHERS	OTHERS	OTHERS	OTHERS	OTHERS	OTHERS	OTHERS
Installed By	OTHERS	OTHERS	OTHERS	OTHERS	OTHERS	OTHERS	OTHERS
SENSORS Provided & Installed by Temspec							
Discharge Air Sensor JCI Part ID	TE-636GV-2	TE-636GV-2	TE-636GV-2	TE-636GV-2	TE-636GV-2	TE-636GV-2	TE-636GV-2
Water Temperature Sensor JCI Part ID	TE-636S-1	TE-636S-1	TE-636S-1	TE-636S-1	TE-636S-1	TE-636S-1	TE-636S-1
LOW LIMIT TEMPERATURE CONTROL							
Provided By	TEMSPEC	TEMSPEC	TEMSPEC	TEMSPEC	TEMSPEC	TEMSPEC	TEMSPEC
Installed By	TEMSPEC	TEMSPEC	TEMSPEC	TEMSPEC	TEMSPEC	TEMSPEC	TEMSPEC
Manufacturer	JCI	JCI	JCI	JCI	JCI	JCI	JCI
Reset Mode	MANUAL RESET	MANUAL RESET	MANUAL RESET	MANUAL RESET	MANUAL RESET	MANUAL RESET	MANUAL RESET
Manufacturer Part ID	A70HA-2C	A70HA-2C	A70HA-2C	A70HA-2C	A70HA-2C	A70HA-2C	A70HA-2C
OUTDOOR AIR DAMPER ACTUATOR							
Provided By	TEMSPEC	TEMSPEC	TEMSPEC	TEMSPEC	TEMSPEC	TEMSPEC	TEMSPEC
Installed By	TEMSPEC	TEMSPEC	TEMSPEC	TEMSPEC	TEMSPEC	TEMSPEC	TEMSPEC
Manufacturer	T.A.C.	T.A.C.	T.A.C.	T.A.C.	T.A.C.	T.A.C.	T.A.C.
Type of Operation	MODULATING	MODULATING	MODULATING	MODULATING	MODULATING	MODULATING	MODULATING
Spring or Non-Spring Return	SPRING RETURN	SPRING RETURN	SPRING RETURN	SPRING RETURN	SPRING RETURN	SPRING RETURN	SPRING RETURN
Manufacturer Part ID	MS40-7043	MS40-7043	MS40-7043	MS40-7043	MS40-7043	MS40-7043	MS40-7043
FACE & BYPASS DAMPER ACTUATOR							
Provided By	TEMSPEC	TEMSPEC	TEMSPEC	TEMSPEC	TEMSPEC	TEMSPEC	TEMSPEC
Installed By	TEMSPEC	TEMSPEC	TEMSPEC	TEMSPEC	TEMSPEC	TEMSPEC	TEMSPEC
Manufacturer	T.A.C.	T.A.C.	T.A.C.	T.A.C.	T.A.C.	T.A.C.	T.A.C.
Type of Operation	MODULATING	MODULATING	MODULATING	MODULATING	MODULATING	MODULATING	MODULATING
Spring or Non-Spring Return	NON-SPRING RETURN	NON-SPRING RETURN	NON-SPRING RETURN	NON-SPRING RETURN	NON-SPRING RETURN	NON-SPRING RETURN	NON-SPRING RETURN
Manufacturer Part ID	MS41-6043	MS41-6043	MS41-6043	MS41-6043	MS41-6043	MS41-6043	MS41-6043
SHUT-OFF BALL VALVES							
Manufacturer	NEXUS	NEXUS	NEXUS	NEXUS	NEXUS	NEXUS	NEXUS
Manufacturer Part ID - HWS/CWS	NXS-075	NXS-075	NXS-075	NXS-075	NXS-075	NXS-075	NXS-075
Manufacturer Part ID - HWR/CWR	NXS-075	NXS-075	NXS-075	NXS-075	NXS-075	NXS-075	NXS-075
Manufacturer Part ID - HWS							
Manufacturer Part ID - HWR							

Plan Reference	VUV-A	VUV-A	VUV-A	VUV-A	VUV-A	VUV-A	VUV-B
Room#	109	110	111	112	113	114	102
Temspec Production Number	T-08	T-09	T-10	T-11	T-12	T-13	T-14
Temspec Model	VUD 1200D	VUD 1200D	VUD 1200D	VUD 1200D	VUD 1200D	VUD 1200D	VUD 1200D
THERMOSTAT / CONTROLLER							
Provided By	OTHERS	OTHERS	OTHERS	OTHERS	OTHERS	OTHERS	OTHERS
Installed By	OTHERS	OTHERS	OTHERS	OTHERS	OTHERS	OTHERS	OTHERS
SENSORS Provided & Installed by Temspec							
Discharge Air Sensor JCI Part ID	TE-636GV-2	TE-636GV-2	TE-636GV-2	TE-636GV-2	TE-636GV-2	TE-636GV-2	TE-636GV-2
Water Temperature Sensor JCI Part ID	TE-636S-1	TE-636S-1	TE-636S-1	TE-636S-1	TE-636S-1	TE-636S-1	TE-636S-1
LOW LIMIT TEMPERATURE CONTROL							
Provided By	TEMSPEC	TEMSPEC	TEMSPEC	TEMSPEC	TEMSPEC	TEMSPEC	TEMSPEC
Installed By	TEMSPEC	TEMSPEC	TEMSPEC	TEMSPEC	TEMSPEC	TEMSPEC	TEMSPEC
Manufacturer	JCI	JCI	JCI	JCI	JCI	JCI	JCI
Reset Mode	MANUAL RESET	MANUAL RESET	MANUAL RESET	MANUAL RESET	MANUAL RESET	MANUAL RESET	MANUAL RESET
Manufacturer Part ID	A70HA-2C	A70HA-2C	A70HA-2C	A70HA-2C	A70HA-2C	A70HA-2C	A70HA-2C
OUTDOOR AIR DAMPER ACTUATOR							
Provided By	TEMSPEC	TEMSPEC	TEMSPEC	TEMSPEC	TEMSPEC	TEMSPEC	TEMSPEC
Installed By	TEMSPEC	TEMSPEC	TEMSPEC	TEMSPEC	TEMSPEC	TEMSPEC	TEMSPEC
Manufacturer	T.A.C.	T.A.C.	T.A.C.	T.A.C.	T.A.C.	T.A.C.	T.A.C.
Type of Operation	MODULATING	MODULATING	MODULATING	MODULATING	MODULATING	MODULATING	MODULATING
Spring or Non-Spring Return	SPRING RETURN	SPRING RETURN	SPRING RETURN	SPRING RETURN	SPRING RETURN	SPRING RETURN	SPRING RETURN
Manufacturer Part ID	MS40-7043	MS40-7043	MS40-7043	MS40-7043	MS40-7043	MS40-7043	MS40-7043
FACE & BYPASS DAMPER ACTUATOR							
Provided By	TEMSPEC	TEMSPEC	TEMSPEC	TEMSPEC	TEMSPEC	TEMSPEC	TEMSPEC
Installed By	TEMSPEC	TEMSPEC	TEMSPEC	TEMSPEC	TEMSPEC	TEMSPEC	TEMSPEC
Manufacturer	T.A.C.	T.A.C.	T.A.C.	T.A.C.	T.A.C.	T.A.C.	T.A.C.
Type of Operation	MODULATING	MODULATING	MODULATING	MODULATING	MODULATING	MODULATING	MODULATING
Spring or Non-Spring Return	NON-SPRING RETURN	NON-SPRING RETURN	NON-SPRING RETURN	NON-SPRING RETURN	NON-SPRING RETURN	NON-SPRING RETURN	NON-SPRING RETURN
Manufacturer Part ID	MS41-6043	MS41-6043	MS41-6043	MS41-6043	MS41-6043	MS41-6043	MS41-6043
SHUT-OFF BALL VALVES							
Manufacturer	NEXUS	NEXUS	NEXUS	NEXUS	NEXUS	NEXUS	NEXUS
Manufacturer Part ID - HWS/CWS	NXS-075	NXS-075	NXS-075	NXS-075	NXS-075	NXS-075	NXS-075
Manufacturer Part ID - HWR/CWR	NXS-075	NXS-075	NXS-075	NXS-075	NXS-075	NXS-075	NXS-075
Manufacturer Part ID - HWS							
Manufacturer Part ID - HWR							

Plan Reference	VUV-B	VUV-B	VUV-B	VUV-B	VUV-B	VUV-B	VUV-B
Room#	201	202	203	218	219	204	205
Temspec Production Number	T-15	T-16	T-17	T-18	T-19	T-20	T-21
Temspec Model	VUD 1200D	VUD 1200D	VUD 1200D	VUD 1200D	VUD 1200D	VUD 1200D	VUD 1200D
THERMOSTAT / CONTROLLER							
Provided By	OTHERS	OTHERS	OTHERS	OTHERS	OTHERS	OTHERS	OTHERS
Installed By	OTHERS	OTHERS	OTHERS	OTHERS	OTHERS	OTHERS	OTHERS
SENSORS Provided & Installed by Temspec							
Discharge Air Sensor JCI Part ID	TE-636GV-2	TE-636GV-2	TE-636GV-2	TE-636GV-2	TE-636GV-2	TE-636GV-2	TE-636GV-2
Water Temperature Sensor JCI Part ID	TE-636S-1	TE-636S-1	TE-636S-1	TE-636S-1	TE-636S-1	TE-636S-1	TE-636S-1
LOW LIMIT TEMPERATURE CONTROL							
Provided By	TEMSPEC	TEMSPEC	TEMSPEC	TEMSPEC	TEMSPEC	TEMSPEC	TEMSPEC
Installed By	TEMSPEC	TEMSPEC	TEMSPEC	TEMSPEC	TEMSPEC	TEMSPEC	TEMSPEC
Manufacturer	JCI	JCI	JCI	JCI	JCI	JCI	JCI
Reset Mode	MANUAL RESET	MANUAL RESET	MANUAL RESET	MANUAL RESET	MANUAL RESET	MANUAL RESET	MANUAL RESET
Manufacturer Part ID	A70HA-2C	A70HA-2C	A70HA-2C	A70HA-2C	A70HA-2C	A70HA-2C	A70HA-2C
OUTDOOR AIR DAMPER ACTUATOR							
Provided By	TEMSPEC	TEMSPEC	TEMSPEC	TEMSPEC	TEMSPEC	TEMSPEC	TEMSPEC
Installed By	TEMSPEC	TEMSPEC	TEMSPEC	TEMSPEC	TEMSPEC	TEMSPEC	TEMSPEC
Manufacturer	T.A.C.	T.A.C.	T.A.C.	T.A.C.	T.A.C.	T.A.C.	T.A.C.
Type of Operation	MODULATING	MODULATING	MODULATING	MODULATING	MODULATING	MODULATING	MODULATING
Spring or Non-Spring Return	SPRING RETURN	SPRING RETURN	SPRING RETURN	SPRING RETURN	SPRING RETURN	SPRING RETURN	SPRING RETURN
Manufacturer Part ID	MS40-7043	MS40-7043	MS40-7043	MS40-7043	MS40-7043	MS40-7043	MS40-7043
FACE & BYPASS DAMPER ACTUATOR							
Provided By	TEMSPEC	TEMSPEC	TEMSPEC	TEMSPEC	TEMSPEC	TEMSPEC	TEMSPEC
Installed By	TEMSPEC	TEMSPEC	TEMSPEC	TEMSPEC	TEMSPEC	TEMSPEC	TEMSPEC
Manufacturer	T.A.C.	T.A.C.	T.A.C.	T.A.C.	T.A.C.	T.A.C.	T.A.C.
Type of Operation	MODULATING	MODULATING	MODULATING	MODULATING	MODULATING	MODULATING	MODULATING
Spring or Non-Spring Return	NON-SPRING RETURN	NON-SPRING RETURN	NON-SPRING RETURN	NON-SPRING RETURN	NON-SPRING RETURN	NON-SPRING RETURN	NON-SPRING RETURN
Manufacturer Part ID	MS41-6043	MS41-6043	MS41-6043	MS41-6043	MS41-6043	MS41-6043	MS41-6043
SHUT-OFF BALL VALVES							
Manufacturer	NEXUS	NEXUS	NEXUS	NEXUS	NEXUS	NEXUS	NEXUS
Manufacturer Part ID - HWS/CWS	NXS-075	NXS-075	NXS-075	NXS-075	NXS-075	NXS-075	NXS-075
Manufacturer Part ID - HWR/CWR	NXS-075	NXS-075	NXS-075	NXS-075	NXS-075	NXS-075	NXS-075
Manufacturer Part ID - HWS							
Manufacturer Part ID - HWR							

Plan Reference	VUV-B	VUV-B	VUV-B	VUV-B	VUV-B	VUV-B	VUV-B
Room#	206	207	208	209	210	211	212
Temspec Production Number	T-22	T-23	T-24	T-25	T-26	T-27	T-28
Temspec Model	VUD 1200D	VUD 1200D	VUD 1200D	VUD 1200D	VUD 1200D	VUD 1200D	VUD 1200D
THERMOSTAT / CONTROLLER							
Provided By	OTHERS	OTHERS	OTHERS	OTHERS	OTHERS	OTHERS	OTHERS
Installed By	OTHERS	OTHERS	OTHERS	OTHERS	OTHERS	OTHERS	OTHERS
SENSORS Provided & Installed by Temspec							
Discharge Air Sensor JCI Part ID	TE-636GV-2	TE-636GV-2	TE-636GV-2	TE-636GV-2	TE-636GV-2	TE-636GV-2	TE-636GV-2
Water Temperature Sensor JCI Part ID	TE-636S-1	TE-636S-1	TE-636S-1	TE-636S-1	TE-636S-1	TE-636S-1	TE-636S-1
LOW LIMIT TEMPERATURE CONTROL							
Provided By	TEMSPEC	TEMSPEC	TEMSPEC	TEMSPEC	TEMSPEC	TEMSPEC	TEMSPEC
Installed By	TEMSPEC	TEMSPEC	TEMSPEC	TEMSPEC	TEMSPEC	TEMSPEC	TEMSPEC
Manufacturer	JCI	JCI	JCI	JCI	JCI	JCI	JCI
Reset Mode	MANUAL RESET	MANUAL RESET	MANUAL RESET	MANUAL RESET	MANUAL RESET	MANUAL RESET	MANUAL RESET
Manufacturer Part ID	A70HA-2C	A70HA-2C	A70HA-2C	A70HA-2C	A70HA-2C	A70HA-2C	A70HA-2C
OUTDOOR AIR DAMPER ACTUATOR							
Provided By	TEMSPEC	TEMSPEC	TEMSPEC	TEMSPEC	TEMSPEC	TEMSPEC	TEMSPEC
Installed By	TEMSPEC	TEMSPEC	TEMSPEC	TEMSPEC	TEMSPEC	TEMSPEC	TEMSPEC
Manufacturer	T.A.C.	T.A.C.	T.A.C.	T.A.C.	T.A.C.	T.A.C.	T.A.C.
Type of Operation	MODULATING	MODULATING	MODULATING	MODULATING	MODULATING	MODULATING	MODULATING
Spring or Non-Spring Return	SPRING RETURN	SPRING RETURN	SPRING RETURN	SPRING RETURN	SPRING RETURN	SPRING RETURN	SPRING RETURN
Manufacturer Part ID	MS40-7043	MS40-7043	MS40-7043	MS40-7043	MS40-7043	MS40-7043	MS40-7043
FACE & BYPASS DAMPER ACTUATOR							
Provided By	TEMSPEC	TEMSPEC	TEMSPEC	TEMSPEC	TEMSPEC	TEMSPEC	TEMSPEC
Installed By	TEMSPEC	TEMSPEC	TEMSPEC	TEMSPEC	TEMSPEC	TEMSPEC	TEMSPEC
Manufacturer	T.A.C.	T.A.C.	T.A.C.	T.A.C.	T.A.C.	T.A.C.	T.A.C.
Type of Operation	MODULATING	MODULATING	MODULATING	MODULATING	MODULATING	MODULATING	MODULATING
Spring or Non-Spring Return	NON-SPRING RETURN	NON-SPRING RETURN	NON-SPRING RETURN	NON-SPRING RETURN	NON-SPRING RETURN	NON-SPRING RETURN	NON-SPRING RETURN
Manufacturer Part ID	MS41-6043	MS41-6043	MS41-6043	MS41-6043	MS41-6043	MS41-6043	MS41-6043
SHUT-OFF BALL VALVES							
Manufacturer	NEXUS	NEXUS	NEXUS	NEXUS	NEXUS	NEXUS	NEXUS
Manufacturer Part ID - HWS/CWS	NXS-075	NXS-075	NXS-075	NXS-075	NXS-075	NXS-075	NXS-075
Manufacturer Part ID - HWR/CWR	NXS-075	NXS-075	NXS-075	NXS-075	NXS-075	NXS-075	NXS-075
Manufacturer Part ID - HWS							
Manufacturer Part ID - HWR							

Plan Reference	VUV-B	VUV-B	VUV-B	VUV-C	VUV-C	VUV-C	VUV-C
Room#	213	214	216	115	116	117	118
Temspec Production Number	T-29	T-30	T-31	T-32	T-33	T-34	T-35
Temspec Model	VUD 1200D	VUD 1200D	VUD 1200D	VUD 1600D	VUD 1600D	VUD 1600D	VUD 1600D
THERMOSTAT / CONTROLLER							
Provided By	OTHERS	OTHERS	OTHERS	OTHERS	OTHERS	OTHERS	OTHERS
Installed By	OTHERS	OTHERS	OTHERS	OTHERS	OTHERS	OTHERS	OTHERS
SENSORS Provided & Installed by Temspec							
Discharge Air Sensor JCI Part ID	TE-636GV-2	TE-636GV-2	TE-636GV-2	TE-636GV-2	TE-636GV-2	TE-636GV-2	TE-636GV-2
Water Temperature Sensor JCI Part ID	TE-636S-1	TE-636S-1	TE-636S-1	TE-636S-1	TE-636S-1	TE-636S-1	TE-636S-1
LOW LIMIT TEMPERATURE CONTROL							
Provided By	TEMSPEC	TEMSPEC	TEMSPEC	TEMSPEC	TEMSPEC	TEMSPEC	TEMSPEC
Installed By	TEMSPEC	TEMSPEC	TEMSPEC	TEMSPEC	TEMSPEC	TEMSPEC	TEMSPEC
Manufacturer	JCI	JCI	JCI	JCI	JCI	JCI	JCI
Reset Mode	MANUAL RESET	MANUAL RESET	MANUAL RESET	MANUAL RESET	MANUAL RESET	MANUAL RESET	MANUAL RESET
Manufacturer Part ID	A70HA-2C	A70HA-2C	A70HA-2C	A70HA-2C	A70HA-2C	A70HA-2C	A70HA-2C
OUTDOOR AIR DAMPER ACTUATOR							
Provided By	TEMSPEC	TEMSPEC	TEMSPEC	TEMSPEC	TEMSPEC	TEMSPEC	TEMSPEC
Installed By	TEMSPEC	TEMSPEC	TEMSPEC	TEMSPEC	TEMSPEC	TEMSPEC	TEMSPEC
Manufacturer	T.A.C.	T.A.C.	T.A.C.	T.A.C.	T.A.C.	T.A.C.	T.A.C.
Type of Operation	MODULATING	MODULATING	MODULATING	MODULATING	MODULATING	MODULATING	MODULATING
Spring or Non-Spring Return	SPRING RETURN	SPRING RETURN	SPRING RETURN	SPRING RETURN	SPRING RETURN	SPRING RETURN	SPRING RETURN
Manufacturer Part ID	MS40-7043	MS40-7043	MS40-7043	MS40-7043	MS40-7043	MS40-7043	MS40-7043
FACE & BYPASS DAMPER ACTUATOR							
Provided By	TEMSPEC	TEMSPEC	TEMSPEC	TEMSPEC	TEMSPEC	TEMSPEC	TEMSPEC
Installed By	TEMSPEC	TEMSPEC	TEMSPEC	TEMSPEC	TEMSPEC	TEMSPEC	TEMSPEC
Manufacturer	T.A.C.	T.A.C.	T.A.C.	T.A.C.	T.A.C.	T.A.C.	T.A.C.
Type of Operation	MODULATING	MODULATING	MODULATING	MODULATING	MODULATING	MODULATING	MODULATING
Spring or Non-Spring Return	NON-SPRING RETURN	NON-SPRING RETURN	NON-SPRING RETURN	NON-SPRING RETURN	NON-SPRING RETURN	NON-SPRING RETURN	NON-SPRING RETURN
Manufacturer Part ID	MS41-6043	MS41-6043	MS41-6043	MS41-6043	MS41-6043	MS41-6043	MS41-6043
SHUT-OFF BALL VALVES							
Manufacturer	NEXUS	NEXUS	NEXUS	NEXUS	NEXUS	NEXUS	NEXUS
Manufacturer Part ID - HWS/CWS	NXS-075	NXS-075	NXS-075	NXS-075	NXS-075	NXS-075	NXS-075
Manufacturer Part ID - HWR/CWR	NXS-075	NXS-075	NXS-075	NXS-075	NXS-075	NXS-075	NXS-075
Manufacturer Part ID - HWS							
Manufacturer Part ID - HWR							

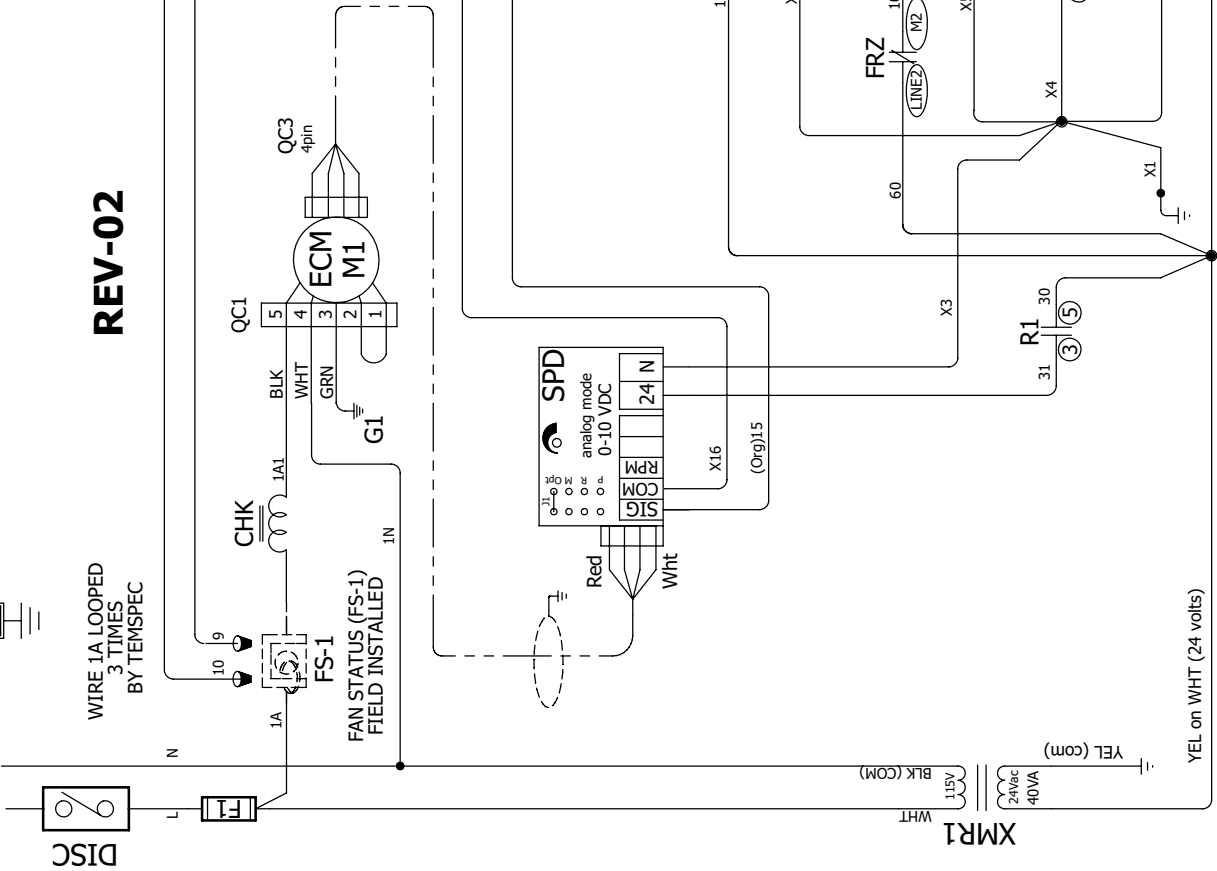
Plan Reference	VUV-C	VUV-C	VUV-C	VUV-D			
Room#	119	120	159	225			
Temspec Production Number	T-36	T-37	T-38	T-39			
Temspec Model	VUD 1600D	VUD 1600D	VUD 1600D	VUD 1200D			
THERMOSTAT / CONTROLLER							
Provided By	OTHERS	OTHERS	OTHERS	OTHERS			
Installed By	OTHERS	OTHERS	OTHERS	OTHERS			
SENSORS Provided & Installed by Temspec							
Discharge Air Sensor JCI Part ID	TE-636GV-2	TE-636GV-2	TE-636GV-2	TE-636GV-2			
Water Temperature Sensor JCI Part ID	TE-636S-1	TE-636S-1	TE-636S-1	TE-636S-1			
LOW LIMIT TEMPERATURE CONTROL							
Provided By	TEMSPEC	TEMSPEC	TEMSPEC	TEMSPEC			
Installed By	TEMSPEC	TEMSPEC	TEMSPEC	TEMSPEC			
Manufacturer	JCI	JCI	JCI	JCI			
Reset Mode	MANUAL RESET	MANUAL RESET	MANUAL RESET	MANUAL RESET			
Manufacturer Part ID	A70HA-2C	A70HA-2C	A70HA-2C	A70HA-2C			
OUTDOOR AIR DAMPER ACTUATOR							
Provided By	TEMSPEC	TEMSPEC	TEMSPEC	TEMSPEC			
Installed By	TEMSPEC	TEMSPEC	TEMSPEC	TEMSPEC			
Manufacturer	T.A.C.	T.A.C.	T.A.C.	T.A.C.			
Type of Operation	MODULATING	MODULATING	MODULATING	MODULATING			
Spring or Non-Spring Return	SPRING RETURN	SPRING RETURN	SPRING RETURN	SPRING RETURN			
Manufacturer Part ID	MS40-7043	MS40-7043	MS40-7043	MS40-7043			
FACE & BYPASS DAMPER ACTUATOR							
Provided By	TEMSPEC	TEMSPEC	TEMSPEC	TEMSPEC			
Installed By	TEMSPEC	TEMSPEC	TEMSPEC	TEMSPEC			
Manufacturer	T.A.C.	T.A.C.	T.A.C.	T.A.C.			
Type of Operation	MODULATING	MODULATING	MODULATING	MODULATING			
Spring or Non-Spring Return	NON-SPRING RETURN	NON-SPRING RETURN	NON-SPRING RETURN	NON-SPRING RETURN			
Manufacturer Part ID	MS41-6043	MS41-6043	MS41-6043	MS41-6043			
SHUT-OFF BALL VALVES							
Manufacturer	NEXUS	NEXUS	NEXUS	NEXUS			
Manufacturer Part ID - HWS/CWS	NXS-075	NXS-075	NXS-075	NXS-075			
Manufacturer Part ID - HWR/CWR	NXS-075	NXS-075	NXS-075	NXS-075			
Manufacturer Part ID - HWS				NXS-075			
Manufacturer Part ID - HWR				NXS-075			

115V/1PH/60HZ
L1 N GND

----- FIELD WIRING
MAD DAMPER: SPRING RETURN CLOSED TO THE OUTDOOR AIR
ON PWR FAILURE.

REV-02

WIRE 1A LOOPED
3 TIMES
BY TEMSPEC



WIRE STRIP LENGTH
0.30" @ TB1

CONTROL SIGNALS BY OTHERS

Part No	Description	SYM	Mfgld
ESX 10820	SWITCH - 1 POLE - 120/277V - 20A	DISC	CSB20AC1-W
EXT 45704	TRANSFORMER-120/208/240/277 TO 24V-40VA	XMR1	TR40VA004
TBA	MOTOR-ECM-120/240V	ECM M1	TBA
TBA	PFC INDUCTOR-AS REQUIRED	CHK	TBA
TBA	SPEED CONTROL-ECM-0(2)TO 10VDC - AS REQUIRED	SPD	TBA
FRM 11000	FUSE-250VAC-10A-MOTORS&TRANSF-MIDGET	F1	MEN10
EAD 41000	DAMPER ACTUATOR-24V-MOD-NO SR	F&BYP	MS41-6043
EAD 41100	DAMPER ACTUATOR-24V-MOD-SR	MAD	MS40-7043
ETJ 22000	TEMP CONTROL - REMOTE BULB - AUTO RESET	FRZ	A70GA-2C
ERX 12213	RELAY-DPDT-24VAC COIL	R1	LY2FAC24

TEMSPEC
TITLE: UV CONTROL DWG. JOB NAME: THOMAS GREG E.S.
UNIT MODEL: VUD 1200D DRAWN BY: J.C. DATE: FEB 10, 2010
DRAWING # VUD1200X11-0.50hpE-3235-REV02

JOB # 3235
REVISION 02

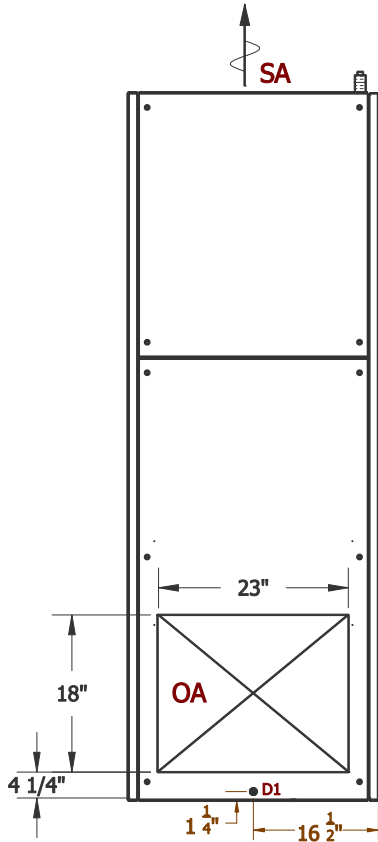
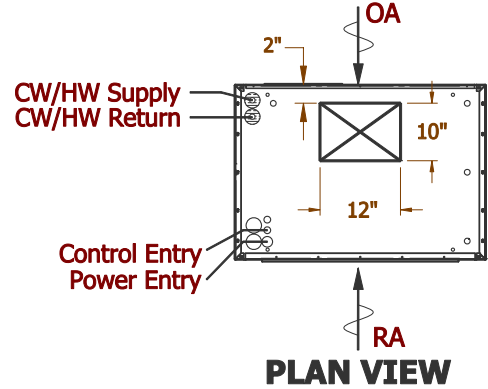
Plan Ref.: VUV - C

Mfg No.: T - 32 thru 38

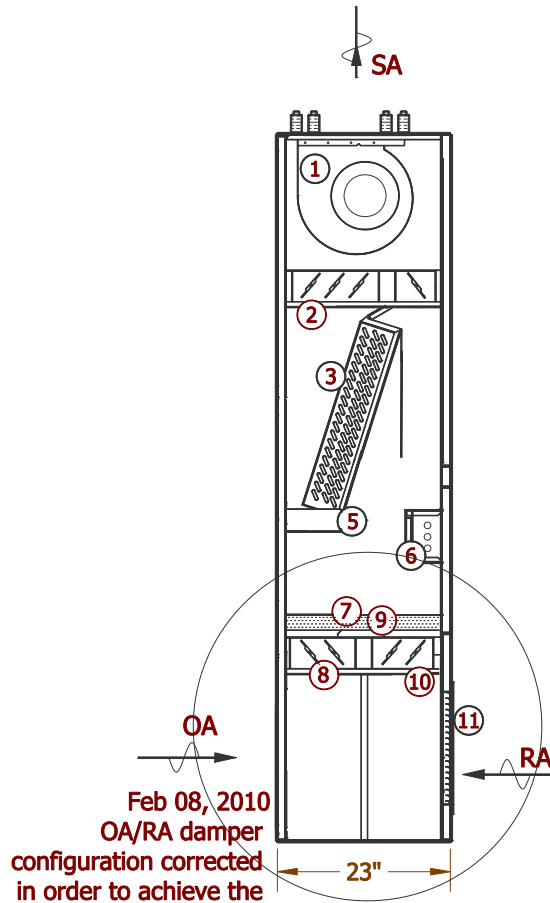
Job No.: 3235 Quantity: 7

Draw Through Unit Ventilator 2 Pipe Changeover Heating/Cooling

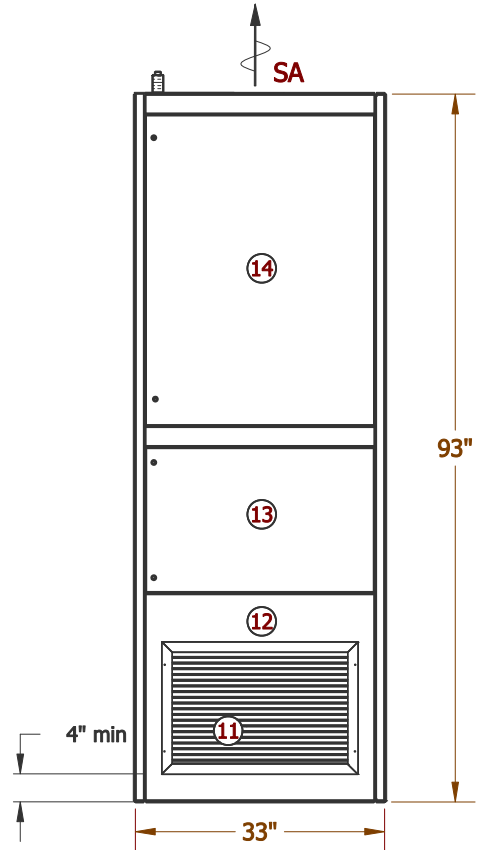
SA = Supply Air
RA = Return Air
OA = Outdoor Air
D1 = 1"Ø condensate drain knockout.



REAR VIEW



SIDE SECTION



FRONT ELEVATION

- | | |
|--|--|
| <ol style="list-style-type: none"> 1. Supply Air Fan 2. Face & Bypass Dampet 3. HW/CW 2 Pipe Coil 4. n/a 5. Drain Pan 6. Controls Enclosure 7. Filter | <ol style="list-style-type: none"> 8. Outdoor Air Damper 9. Mixed Air Damper Actuator (spring return) 10. Return Air Damper 11. Heavy Duty Return Air Grille 12. Fixed Return Air Panel 13. Hinged Filter Access Door 14. Hinged Coil Access Door |
|--|--|